



VALUE FLOOD LIGHT

VISOR ACCESSORY INSTALLATION INSTRUCTIONS

⚠ CAUTION

PLEASE READ INSTRUCTIONS BEFORE COMMENCING INSTALLATION AND RETAIN FOR FUTURE REFERENCE.
Electrical products can cause death or injury, or damage to property. If in any doubt about the installation or use of this product, consult a competent electrician.

⚠ WARNING

To avoid the risk of fire, explosion, or electric shock, this product shall be installed, inspected, and maintained by a qualified electrician, in accordance with all applicable electrical codes.

⚠ WARNING

To avoid electric shock:

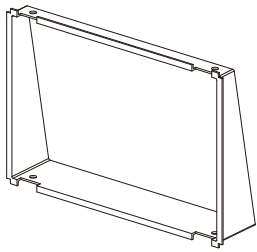
- Be certain electrical power is OFF before and during installation or maintenance.
- Luminaire must be connected to a wiring system with equipment-grounding conductor

To avoid explosion:

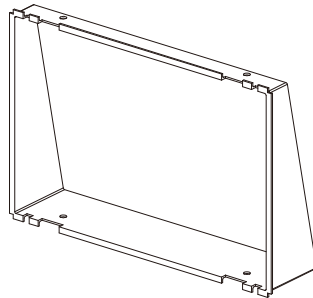
- Make sure the supply voltage is the same as the rated luminaire voltage.
- Do not install where marked operating temperatures exceed the ignition temperature of the hazardous atmosphere.
- Do not operate in ambient temperatures above those indicated on the luminaire.
- Do not use any electric generator to power the LED fixture.

Installation Instructions:

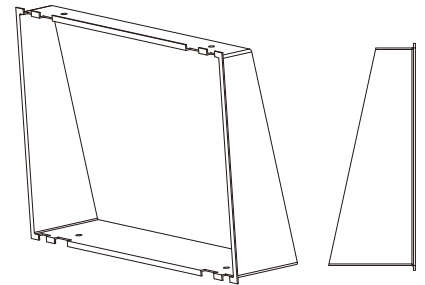
Read all Warnings and Installer Notes before proceeding with this installation.



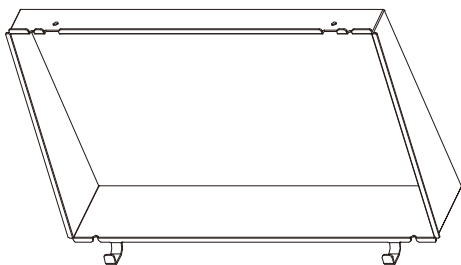
VFC-VISOR



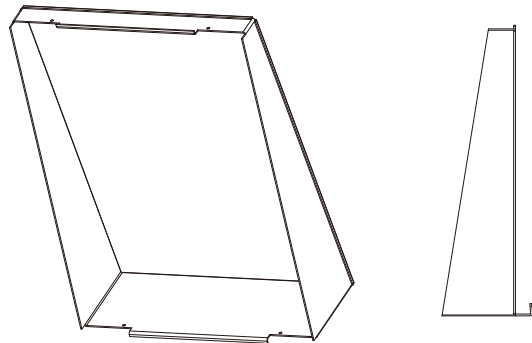
VFS-VISOR



VFM-VISOR



VFL-VISOR



VFX-VISOR



VALUE FLOOD LIGHT

VISOR ACCESSORY INSTALLATION INSTRUCTIONS

Installation Instructions:

TURN OFF POWER FROM MAIN CIRCUIT BREAKER

Installation of bottom/top visor – VFC, VFS, VFM, VFX

1. Center the visor with the lens, ensure the visor is flush with the fixture. (Figure 1)
2. Note the longest flat part of the mounting fasteners with screw hole. Slide in the Mounting Fasteners with the longest face inside the visor, clips the other side of the fastener to the fixture housing. The screw holes of the fastener and the visor should be aligned (Figure 2);
3. Secure the visor, by screwing the Mounting Fasteners to the visor with the provided screws. (Figure 3);
4. Ensure that the visor is tight and securely attached to the fixture, and installation is complete (Figure 4).

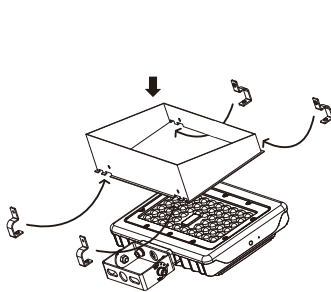


Figure 1

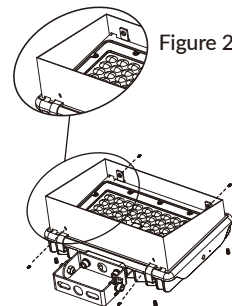


Figure 3

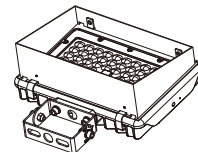


Figure 3

INSTALLATION OF BOTTOM/TOP VISOR - VFL

1. Center the visor with the lens and attach the hook at the bottom of the visor to the bottom of the fixtures housing. (Figure. 1)
2. Align the Mounting Fasteners to the visor and the housing. Ensure the visor is centered and flush with the fixture.
3. Secure the visor, by screwing the Mounting Fasteners to the visor and to the housing with the provided screws, screw until tight and securely fastened. (Figure 2&3);
4. Ensure that the visor is securely attached to the fixture, and installation is complete (Figure 4).

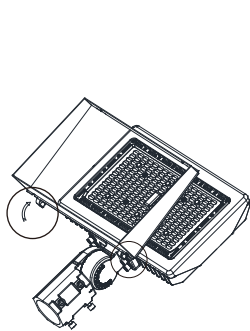


Figure 1

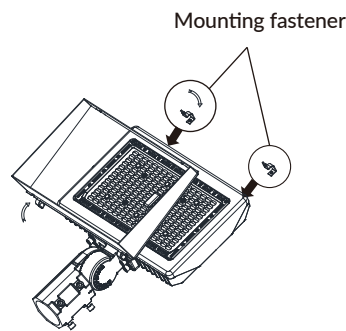


Figure 2

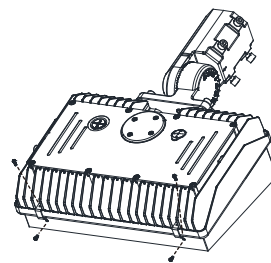


Figure 3

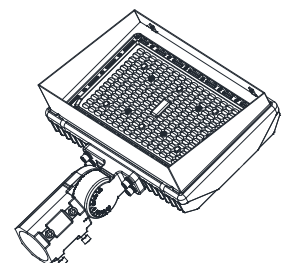


Figure 4

- VFC/ VFS: 4pcs Mounting Fasteners, 8pcs M4*6 screws
- VFM: 4pcs Mounting Fasteners, 6pcs M4*6 screws
- VFL: 2pcs Mounting Fasteners, 2pcs M4*6 screws
- VFX: 4pcs Mounting Fasteners, 6pcs M3*6 screws