

|               |              |       |
|---------------|--------------|-------|
| Project Name: | Part Number: | Type: |
|---------------|--------------|-------|

# AMBER AREA LIGHT - FWC 100W LED



407-478-3759  
www.ilp-inc.com

## OUTDOOR

### FEATURES

- Sleek low profile die cast aluminum housing (bronze housing)
- Tool-less hinged drop down driver access
- Universal Pole Mounting Bracket available (UPMB)
- Front Side Glare Shield (FGS)
- Swappable driver cover
- IP66 Rated
- Amber LEDs 585-595nm Dominant Wave Length
- 0-10V Dimmable Driver
- Dark Sky Compliant
- 5 year warranty



### SUITABLE APPLICATIONS

- Parking Lots
- Beachfront Buildings
- Pathways
- Pool Decks
- Hotels
- Retail
- Shopping Centers
- Condominium

| LED SYSTEMS INFO            |              | FWC       |
|-----------------------------|--------------|-----------|
| Calculated L <sub>70</sub>  | <b>AMBER</b> | >33.3K    |
| Delivered Lumens (25°C)     |              | 1,925 lm  |
| Total Input Watts           |              | 96.4 W    |
| Maximum Ambient Temperature |              | 117°F     |
| Universal Driver            |              | 120-277 V |

LED System data above based on scaled goniophotometer results.  
Note: IES file available for FWC configuration.  
Note: FWC has T4 and FGS as standard options.



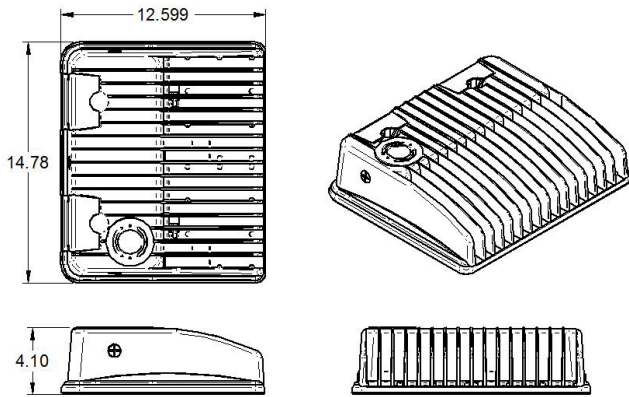
Wildlife Lighters Certification Number: 2018-03

### ORDERING GUIDE:

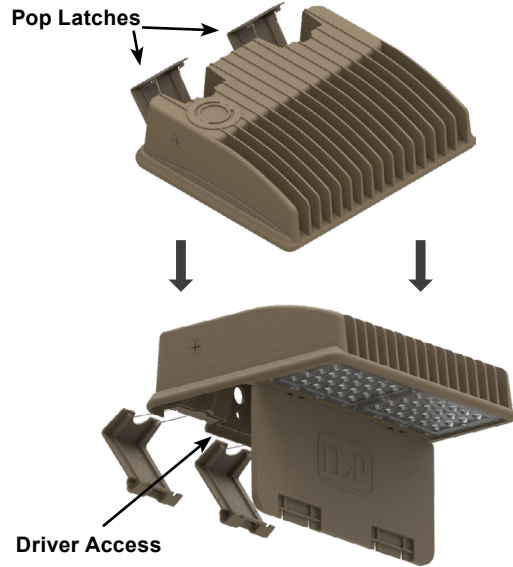
| Series        | Watts   | Driver        | Color | Optics                                 | Options   |
|---------------|---------|---------------|-------|--|---|
| AL Area Light | 100WLED | UNIV 120-277V | AMBER | <input checked="" type="checkbox"/> T4 | <input checked="" type="checkbox"/> FGS Front Side Glare Shield<br>UPMB Universal Pole Mounting Bracket<br>UPMB/R Universal Pole Mounting Bracket w/ Round Pole Adapter 4"-5"<br>WMB Wall Mount Bracket<br>AL-SLFP Adjustable Slip Fitter<br>AL-SB Adjustable Swivel Bracket<br>HTMA Horizontal Tenon Mount Adaptor<br>ARM6-S 6" Straight Arm Adaptor for Square Pole<br>ARM6-Rx 6" Straight Arm Adaptor for Round Pole (x = diameter)<br>SP1 10kA Max Univolt Surge Protector<br>SP2 22kA Max Univolt Surge Protector<br>SP480V2 20kA Max 480V Surge Protector<br>TLPC Univ. twist lock photocell factory installed receptacle w/ field installed photocell<br>7PIN/PC/R 7 Pin Photocell Factory Installed Receptacle<br>WLOS Wet Location Rated Occupancy Sensor<br>USBD User Select Bi-Level Din w/ Occ. Sensor<br>BDxx Preset Bi-Level Dim Sensor (xx=% eg. 20, 30)<br>BDxxPC Preset Bi-Level Dim Sensor w/ Photocell (xx=% eg. 20, 30)<br>FSIR/100 Remote Configuration Tool for WLOS & USBD Control Options<br>SD480V 480V Step Down Transformer<br>SD347V 347V Step Down Transformer |

# AREA LIGHT - 100W LED

OUTDOOR



# TOOL-LESS DRIVER ACCESS



## MOUNTING OPTIONS

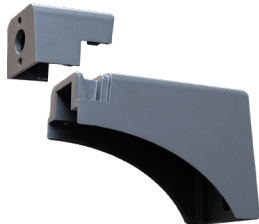
- **UPMB** - Universal Pole Mounting Bracket
- **UPMB/R** - Universal Pole Mounting Bracket
- **WMB** - Wall Mount Bracket
- **AL-SLPF** - Adjustable Slip Fitter
- **AL-SB** - Swivel Bracket
- **HTMA** - Horizontal Tenon Mount Adaptor
- **ARM6-S** - 6" Straight Arm Adaptor For Square Pole
- **ARM6-Rx** - 6" Straight Arm Adaptor For Round Pole (x =  $\emptyset$ )

| EPA RATINGS | ARM6-S               | UPMB                 | HTMA                 | AL-SLPF              | AL-SB                |
|-------------|----------------------|----------------------|----------------------|----------------------|----------------------|
| AL-100WLED  | 0.61 ft <sup>2</sup> | 0.76 ft <sup>2</sup> | 0.58 ft <sup>2</sup> | 0.71 ft <sup>2</sup> | 0.60 ft <sup>2</sup> |

### WEIGHT

17.2 LB

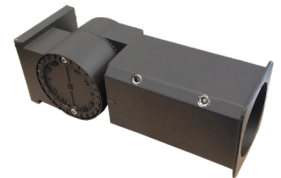
\* EPA Ratings listed assume fixture is mounted horizontally. For adjustable mounting options, EPA will vary with selected angle.



UPMB



WMB



AL-SLPF



AL-SB



HTMA

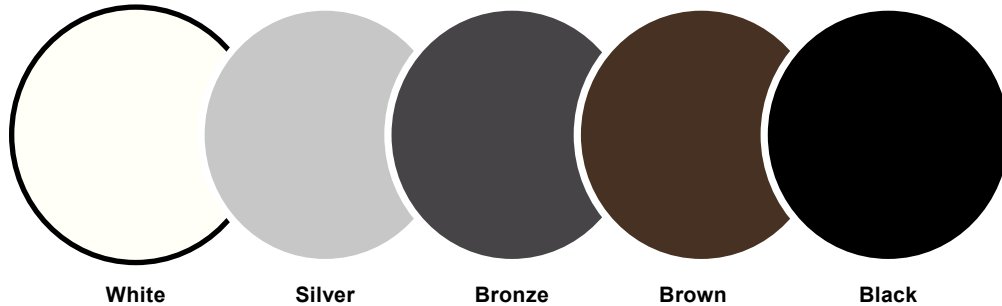


ARM6-S  
(Available for Square or Round Pole)

# AREA LIGHT - 100W LED

OUTDOOR

## COLOR GUIDE



| COLOR NAME AND DESCRIPTION           | SHEEN      | PRODUCT  | VENDOR           |
|--------------------------------------|------------|----------|------------------|
| WHT - ILP White                      | SEMI GLOSS | POLANE T | SHERWIN-WILLIAMS |
| SLV - ILP Silver - Ultrasonic Chrome | GLOSS      | POLANE T | SHERWIN-WILLIAMS |
| BRZ - ILP Bronze - std. & in stock   | SEMI GLOSS | POLANE T | SHERWIN-WILLIAMS |
| BRN - ILP Brown                      | SEMI GLOSS | POLANE T | SHERWIN-WILLIAMS |
| BLK - ILP Black                      | SEMI GLOSS | POLANE T | SHERWIN-WILLIAMS |

**COLORS SHOWN ABOVE ARE TO BE USED AS REFERENCE, NOT EXACT MATCH.  
PLEASE REQUEST PAINT CHIPS FOR EXACT MATCH.**

# AREA LIGHT - 100W LED

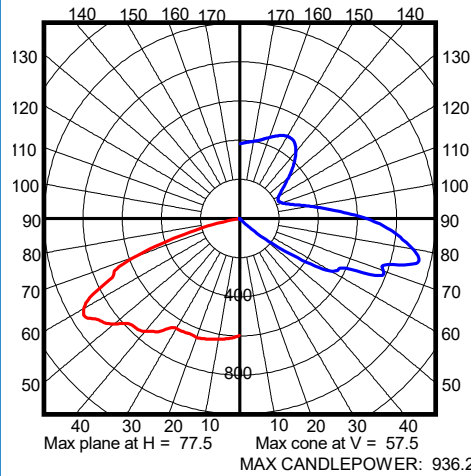
## OUTDOOR

### AL-100WLED-UNIV-AMBER-T4-FGS

#### SUMMARY DATA

|                                 |                 |
|---------------------------------|-----------------|
| HEMISPHERES TESTED:             | BOTH            |
| EFFICIENCY (Downlight/Uplight): | 100.0 % / 0.0 % |
| EFFICIENCY (Street/House):      | 50.6 % / 49.4 % |
| ROADWAY CLASSIFICATION:         | TYPE I, SHORT   |
| CUTOFF CLASSIFICATION:          | NONCUTOFF       |
| LUMENS:                         | 1,925.401       |
| INPUT WATTS:                    | 96.403          |

#### CANDELA PLOT



Photometric values based upon tests performed in compliance w/ LM-79.  
Download IES files at [www.ilp-inc.com](http://www.ilp-inc.com)