

Project Name:

Part Number:

Type:

CF SERIES



407-478-3759
www.ilp-inc.com

FEATURES

- Architectural die-cast aluminum housing
- Bronze (BRZ), Black (BLK), & White (WHT) polyester powder coat finishes (std.)
- Field Swappable NEMA optical Distributions:
 - CFS: NEMA 7x6 (std.), 5x5 & 4x4
 - CFM: NEMA 7x6 (std.), 5x5, 4x4, & 3x3
- Mounting:
 - ½" Knuckle (std.)
 - Trunnion Mount Bracket
 - 2 ¾" Tenon Cap option
- Embedded Photocell
- Pushbutton convertible top provides toolless access:
 - Easily swap optics
 - Field Adjustable Output (FAO) allows individual luminaire lumen output control (std.)
 - Photocell override switch
- 120-277V Universal Voltage
- 4000K & 5000K CCT (std.)
- >80 Color Rendering Index (CRI)
- Calculated L70 >100,000 Hours @ 25°C per TM-21-11
- IP66 Rated Luminaire
- 5 Year Warranty
- ETL Listed for Wet Locations, Suitable for Ground Mounting
- DesignLights Consortium® Qualified Luminaire



SUITABLE APPLICATIONS

- Landscape
- Flag Pole
- Wall Wash
- Signage
- Spot and Flood Light
- Elevation Illumination

ORDERING GUIDE:

MODEL	WATTAGE	DESCRIPTION
CFS-36W-U-50-N76/S-BRZ	34W	Convertaflood Small, 4,000 Lumens, 5000K; Bronze
CFS-36W-U-50-N76/S-WHT	34W	Convertaflood Small, 4,000 Lumens, 5000K; White
CFM-52W-U-40-N76/M-BRZ	57W	Convertaflood Med, 6,000 Lumens, 4000K; Bronze
CFM-52W-U-50-N76/M-BRZ	57W	Convertaflood Med, 6,000 Lumens, 5000K; Bronze
CFM-52W-U-50-N76/M-BLK	57W	Convertaflood Med, 6,000 Lumens, 5000K; Black
CFM-52W-U-50-N76/M-WHT	57W	Convertaflood Med, 6,000 Lumens, 5000K; White
CFM-85W-U-40-N76/M-BRZ	85W	Convertaflood Med, 10,000 Lumens, 4000K; Bronze
CFM-85W-U-40-N76/M-WHT	85W	Convertaflood Med, 10,000 Lumens, 4000K; White
CFM-85W-U-50-N76/M-BRZ	85W	Convertaflood Med, 10,000 Lumens, 5000K; Bronze
CFM-85W-U-50-N76/M-WHT	85W	Convertaflood Med, 10,000 Lumens, 5000K; White

OPTIONS

SP1¹ 10kA Max Univolt Surge Protector

MOUNTING - FIELD INSTALLED

CF-TR/xxx 23/8" Tenon Adapter (xxx=fixture color)
CF-TM/xxx Trunnion Mounting Bracket (xxx=fixture color)

Ship With Accessories

N33/xxx NEMA 3Hx3V Optics (xxx=M52 or M85)
N44/xxx NEMA 4Hx4V Optics (xxx=M52 or M85)
N55/xxx NEMA 5Hx5V Optics (xxx=M36, M52, or M85)

OPTxxx All Optical Distributions included (xxx=S36, M52, or M85)
HD/S/BRZ³ Hood - Bronze
HD/M/BRZ¹ Hood - Bronze

¹ CFM Only

² Does not qualify for DLC

³ CFS Only

CF SERIES

LED SYSTEMS INFO

LED SYSTEMS INFORMATION ¹		4000K		5000K		Watts ²	DLC Listing
Part Numbers	Optics	Lumens	Efficacy	Lumens	Efficacy		
CFS-36WLED	7X6	4,017 lm	117 lm/W	3,945 lm	115 lm/W	34W	PREMIUM
	5X5	4,146 lm	118 lm/W	4,107 lm	117 lm/W		
	4X4	3,304 lm	96 lm/W	3,274 lm	95 lm/W		
CFM-52WLED	7X6	6,285 lm	110 lm/W	6,655 lm	117 lm/W	57W	STANDARD
	5X5	6,245 lm	110 lm/W	6,612 lm	116 lm/W		
	4X4	6,276 lm	109 lm/W	6,645 lm	117 lm/W		
	3X3	6,183 lm	119 lm/W	6,547 lm	115 lm/W		
CFM-85WLED	7X6	10,630 lm	125 lm/W	11,160 lm	130 lm/W	85W	PREMIUM
	5X5	10,370 lm	122 lm/W	10,886 lm	127 lm/W		
	4X4	8,895 lm	103 lm/W	9,236 lm	108 lm/W		
	3x3	7,959 lm	94 lm/W	8,391 lm	98 lm/W		

¹Values are nominal, see IES file for more detail
²Electrical data at 25C (77F). Actual wattage may differ by +/-10%.

SPECIFICATIONS

CONSTRUCTION

The CF Series features an architectural low-profile die-cast aluminum housing with a durable polyester powder coat finish tailored to withstand extreme weather changes without cracking or peeling (Available in ILP White (WHT), Black (BLK), or Bronze (BRZ) finishes; Consult factory for alternate finishes). The tempered clear glass lens seals to the housing with a one-piece silicone gasket creating an IP66 rating for maximum ingress protection. The tool-less Salt Spray tested for 500 hrs. 3' cord included.

ELECTRICAL

High-performance driver features over-voltage, under-voltage, short circuit and over temperature protection. 0-10V dimming (10% - 100%) standard. Standard Universal Voltage (120-277 Vac) Input 50/60 Hz. L70 >100,000 hrs. in accordance of IESNA TM-21-11 Projected values at 25°C Ambient temperature. Total harmonic distortion: 0.90. Input power stays constant over life. Minimum 2.5kV surge rating. Standard Integral Field Adjustable Output (FAO) device allows for easy tuning of luminaire light levels for individual site conditions (10-100%).

MOUNTING

The CF Series's tool-less head latch allows for easy servicing and the standard provided locking screw provides optional vandal resistance. Provided standard with a fully adjustable 3/4" Female knuckle with 3' outdoor rated (3) conductor power cord for easy quick installation. Optional heavy-duty trunnion bracket or 2-3/8" die-cast aluminum tenon adaptor accessories available.

WARRANTY

5 Year Warranty (Terms and Conditions apply). See Website for more details. <https://www.ilp-inc.com/documents/>

OPTICS

The CF Series features field swappable snap-in NEMA optical distributions. Available in 7Hx6V (std.) 5Hx5V, 4Hx4V, or 3Hx3V (Medium only). OPTxxx option provides all NEMA optical distributions standard. Available in 4000K or 5000K color temperature (CCT) per ANSI C78.377 standard. Consult factory for availability of alternate CCTs.

THERMAL

CF Series's features (2) High-efficacy COB LED's mounted directly to the cast aluminum housing with heat dissipating fins to provide excellent thermal performance extending the life of electronic components. Operating Ambient Temperature: -40°C – +40°C (-40°F – 104°F)

CONTROLS

Integral embedded IP66 rated electronic photocell provides dusk/dawn control standard with an optional override switch to by-pass the photocell when required.

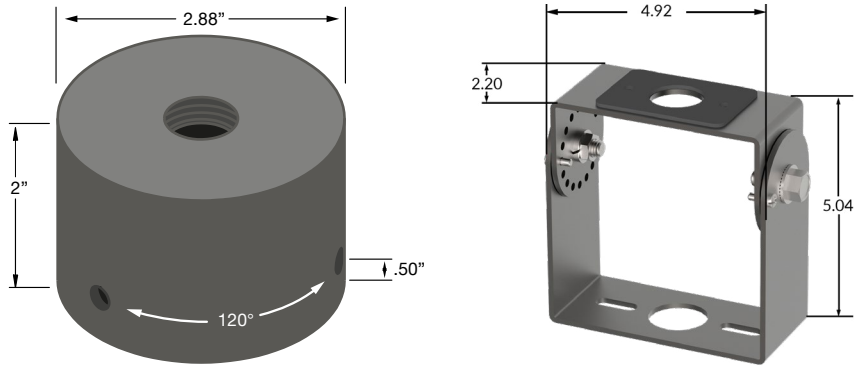
CERTIFICATIONS

ETL Listed for wet locations, suitable for ground mounting. DesignLights Consortium® (DLC) Premium qualified product and DLC qualified product. Not all versions of this product may be DLC Premium qualified or DLC qualified. Please check the DLC Qualified Products List at www.designlights.org/QPL to confirm which versions are qualified. Tested in accordance with IESNA LM-79 and LM-80 standards.

CF SERIES

MOUNTING OPTIONS

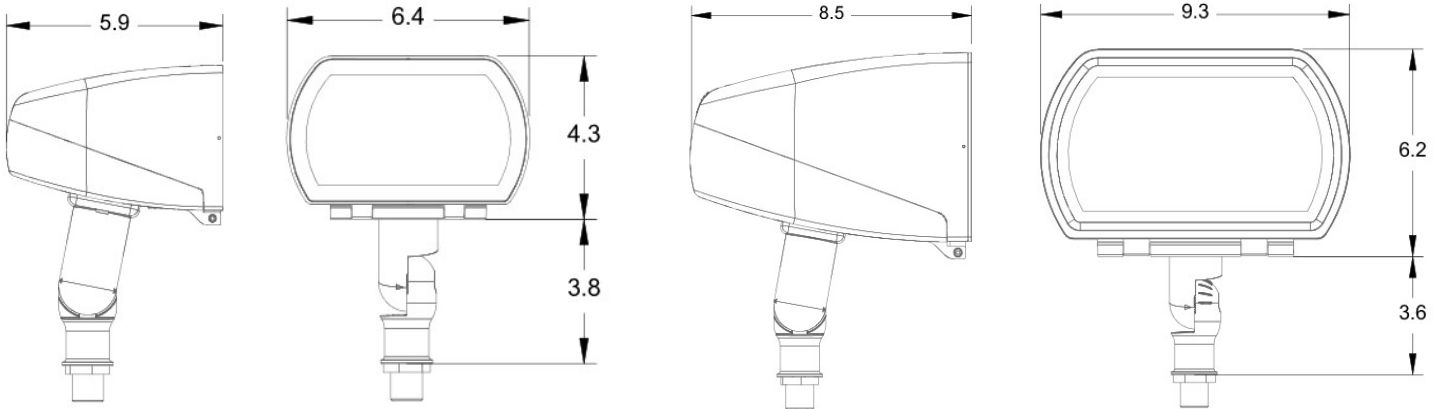
- CF-TR - 2-3/8" Tenon Adapter
- TMB - Trunnion Mount Bracket



LINE DRAWINGS

CFS - 36W

CFM - 52W & 85W



OPTICS

