

Project Name:	Part Number:	Type:
---------------	--------------	-------

DOMED HIGH BAY 2.0

DOMED HIGH BAY



407-478-3759
www.ilp-inc.com

FEATURES

- Round traditional high bay
- Cold-forged aluminum housing
- 14" aluminum reflector option
- 16" or 22" acrylic diffuser option
- Stainless steel hook for mounting (std.)
- Clear lens (std.)
- 6ft cord (std.)
- 0-10V Dimmable Driver (100% - 10%)
- 4000K and 5000K CCT
- IP65 Wet Location Rated
- 5 Year Warranty
- UL Listed for Wet Location
- DesignLights Consortium® Qualified Luminaire



No reflector



Shown with 16" Acrylic Diffuser



Shown with 14" Aluminum Reflector

SUITABLE APPLICATIONS

- Warehouses
- Distribution Centers
- Manufacturing Plants
- Gymnasiums

LED SYSTEMS INFO		Standard	REFL90	AD16	AD22	Standard	REFL90	AD16	AD22	
Calculated L ₇₀ (TM-21)	150W	>100K	>100K	>100K	>100K	200W	>100K	>100K	>100K	>100K
Delivered Lumens		20,521 lm	19,543 lm	20,656 lm	20,729 lm		27,749 lm	24,230 lm	25,010 lm	25,119 lm
Total Input Watts		148 W	156 W	154 W	154 W		201 W	195 W	193 W	193 W
Luminaire Efficacy Rating (LER)		139 lm/W	126 lm/W	134 lm/W	134 lm/W		138 lm/W	124 lm/W	130 lm/W	130 lm/W
Correlated Color Temperature (CCT)		5000K	5000K	5000K	5000K		5000K	5000K	5000K	5000K
Color Rendering Index (CRI)		>80	>80	>80	>80		>80	>80	>80	>80
Range Ambient Temperature		-40°F-122°F	-40°F-130°F	-40°F-130°F	-40°F-130°F		-40°F-115°F	-40°F-115°F	-40°F-115°F	-40°F-115°F
Universal Driver		120-277 V	120-277 V	120-277 V	120-277 V		120-277 V	120-277 V	120-277 V	120-277 V

LED System data above based on DHB-150WLED-UNIV-50, DHB-150WLED-UNIV-50-REFL90, DHB-150WLED-UNIV-50-AD16, DHB-150WLED-UNIV-50-AD22, DHB-200WLED-UNIV-50, DHB-200WLED-UNIV-50-REFL90, DHB-200WLED-UNIV-50-AD16, & DHB-200WLED-UNIV-50-AD22

LED Lumen Maintenance Estimates based on TM-21 projections for the light source at 25°C ambient.

ORDERING GUIDE:

Series	Watts	Driver	Color	Options	
DHB Domed High Bay 2.0	150WLED †	UNIV 120-277 V Driver	50	REFL90	14" Aluminum Reflector
			40	AD16	16" Frosted Acrylic Diffuser
			AD22	22" Frosted Acrylic Diffuser	
			Cx/3W **	3-wire cord standard fixtures (xFT = Length; x=6,10,15,20)	
			Cx/4W **	4-wire cord for EM fixtures (xFT = Length; x=6,10,15,20)	
			Cx/5W **	5-wire cord for non EM fixtures with external dim control (xFT = Length; x=6,10,15,20)	
			Cx/6W **	6-wire cord for EM fixtures with external dim control (xFT = Length; x=6,10,15,20)	
			WC16 ‡	16" Wire Cage	
			WC22 ‡	22" Wire Cage	
			WLOS	Wet Location Sensor Installed	
			FIOS †	On/Off Occupancy Sensor	
			FMB	Fixture Mounting Box	
			HUB 3/4 **	Conduit Hub 3/4" For Pendant Mounts	
	ACxL	Y-Toggle Cable System (x = 5' or 10')			
	LEDBB †	LED Battery Backup			
	SD347 **†	347V Step Down Transformer			
	SD480 **†	480V Step Down Transformer			

† IP Rating does not apply

* Cannot be used with Battery Backup

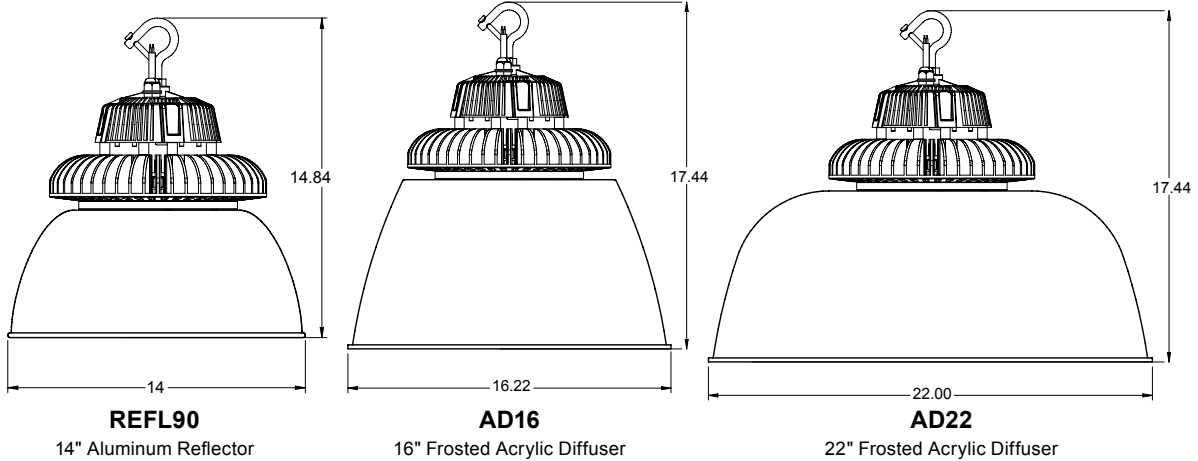
**Must be used with FMB

‡ Does NOT Qualify for DLC

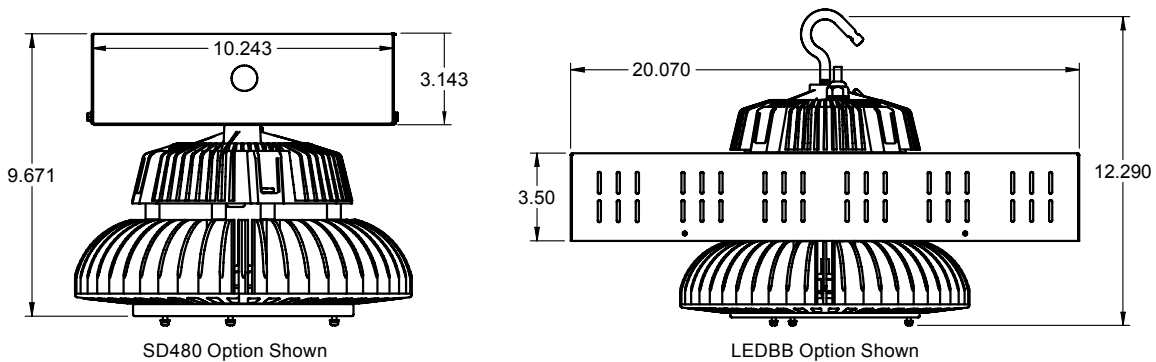
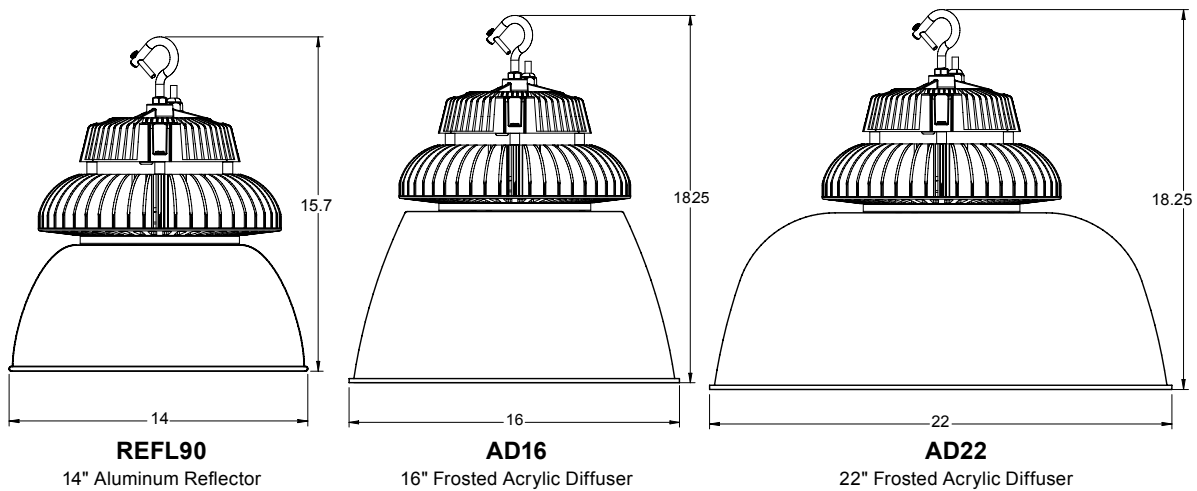
DOMED HIGH BAY 2.0

DOMED HIGH BAY

150W



200W



MOUNTING OPTIONS

- **HOOK** - Stainless steel hook for mounting (std)
- **Y-Toggle Cable Kit** - Includes two adjustable cable hangers
- **Conduit Hub** - Conduit hub $\frac{3}{4}$ " for pendant mounts
- **Fixture Mounting Box (FMB)** - Includes rigid box to attach to the fixture, provides for single point mounting to accept a pendant, hook or conduit hub (sold separately).



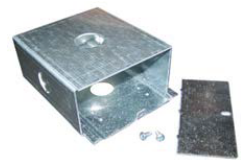
HOOK



HB-XX-LOOP



HUB $\frac{3}{4}$ " CONDUIT



FMB

DOMED HIGH BAY 2.0 - 150W

DOMED HIGH BAY

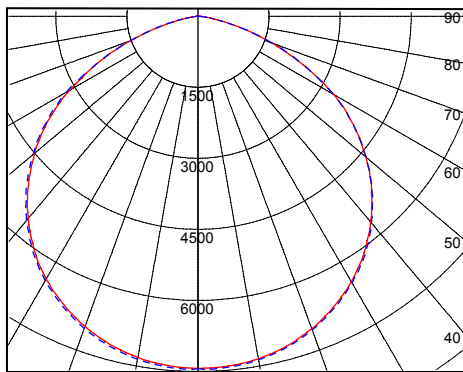
PHOTOMETRIC REPORTS

DHB-150WLED-UNIV-50

SUMMARY DATA

HEMISPHERES TESTED:	BOTH
EFFICIENCY (Downlight):	99.9 %
EFFICIENCY (Uplight):	0.1 %
CIE CLASSIFICATION:	DIRECT
LUMENS:	20519.5
INPUT WATTS:	148.1

CANDELA PLOT



Totally Asymmetric Solid: 180-0 Degrees Dashed: 270-90 Degrees

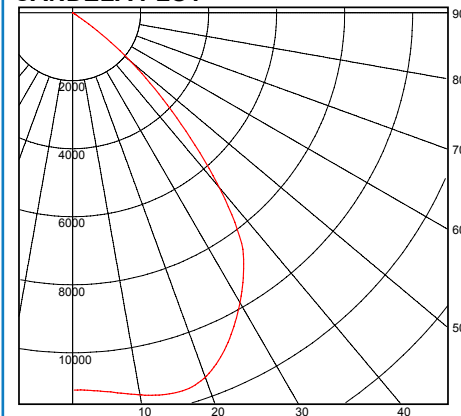
Photometric values based upon tests performed in compliance w/ LM-79. Download IES files at www.ilp-inc.com

DHB-150WLED-UNIV-50-REFL90

SUMMARY DATA

HEMISPHERES TESTED:	BOTH
EFFICIENCY (Downlight):	100.0 %
EFFICIENCY (Uplight):	0.0 %
CIE CLASSIFICATION:	DIRECT
SPACING CRITERION	1.22
LUMENS:	18607.35
INPUT WATTS:	154.6

CANDELA PLOT



Axially Symmetric

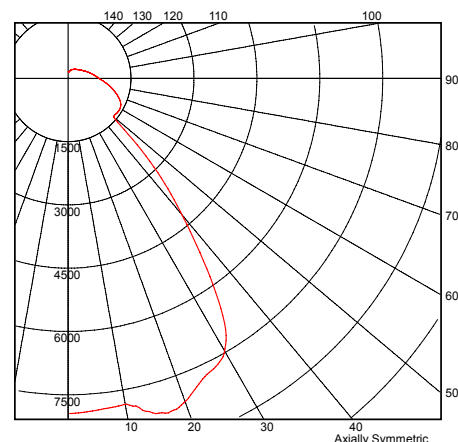
Photometric values based upon tests performed in compliance w/ LM-79. Download IES files at www.ilp-inc.com

DHB-150WLED-UNIV-50-AD16

SUMMARY DATA

HEMISPHERES TESTED:	BOTH
EFFICIENCY (Downlight):	87.0 %
EFFICIENCY (Uplight):	13.0 %
CIE CLASSIFICATION:	SEMI-DIRECT
SPACING CRITERION	1.17
LUMENS:	19804.19
INPUT WATTS:	154.11

CANDELA PLOT



Axially Symmetric

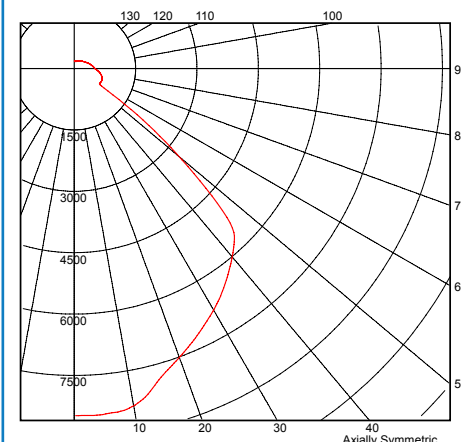
Photometric values based upon tests performed in compliance w/ LM-79. Download IES files at www.ilp-inc.com

DHB-150WLED-UNIV-50-AD22

SUMMARY DATA

HEMISPHERES TESTED:	BOTH
EFFICIENCY (Downlight):	89.6 %
EFFICIENCY (Uplight):	10.4 %
CIE CLASSIFICATION:	SEMI-DIRECT
SPACING CRITERION	1.20
LUMENS:	19879.95
INPUT WATTS:	154.21

CANDELA PLOT



Axially Symmetric

Photometric values based upon tests performed in compliance w/ LM-79. Download IES files at www.ilp-inc.com

DOMED HIGH BAY 2.0 - 200W

DOMED HIGH BAY

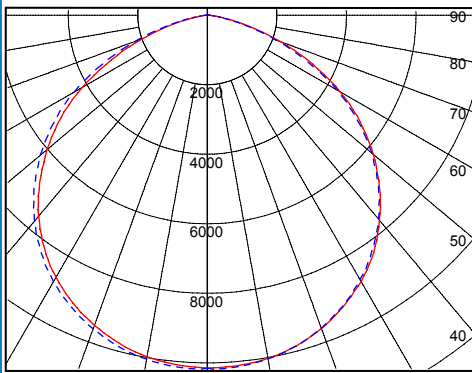
PHOTOMETRIC REPORTS

DHB-200WLED-UNIV-50

SUMMARY DATA

HEMISPHERES TESTED:	BOTH
EFFICIENCY (Downlight):	99.9 %
EFFICIENCY (Uplight):	0.1 %
CIE CLASSIFICATION:	DIRECT
LUMENS:	27746.9
INPUT WATTS:	200.5

CANDELA PLOT



Totally Asymmetric Solid: 180-0 Degrees Dashed: 270-90 Degrees

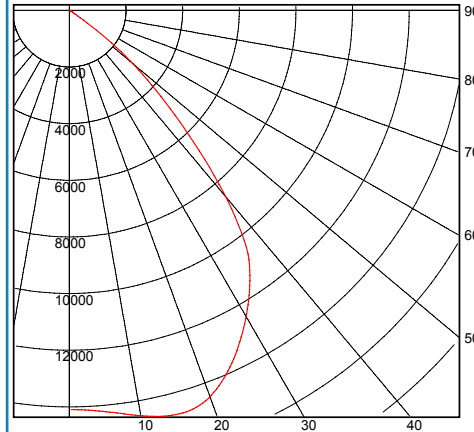
Photometric values based upon tests performed in compliance w/ LM-79. Download IES files at www.ilp-inc.com

DHB-200WLED-UNIV-50-REFL90

SUMMARY DATA

HEMISPHERES TESTED:	BOTH
EFFICIENCY (Downlight):	99.9 %
EFFICIENCY (Uplight):	0.1 %
CIE CLASSIFICATION:	DIRECT
LUMENS:	20519.5
INPUT WATTS:	148.1

CANDELA PLOT



Axially Symmetric

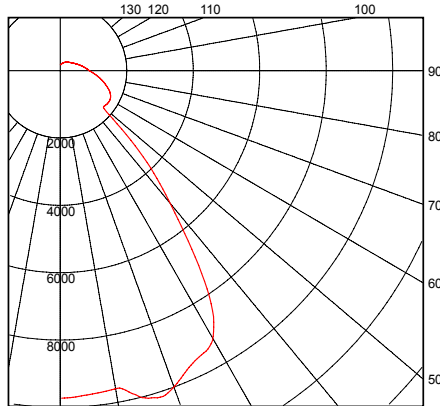
Photometric values based upon tests performed in compliance w/ LM-79. Download IES files at www.ilp-inc.com

DHB-200WLED-UNIV-50-AD16

SUMMARY DATA

HEMISPHERES TESTED:	BOTH
EFFICIENCY (Downlight):	87.4 %
EFFICIENCY (Uplight):	12.6 %
CIE CLASSIFICATION:	SEMI-DIRECT
SPACING CRITERION	1.17
LUMENS:	24010.88
INPUT WATTS:	193.24

CANDELA PLOT



Axially Symmetric

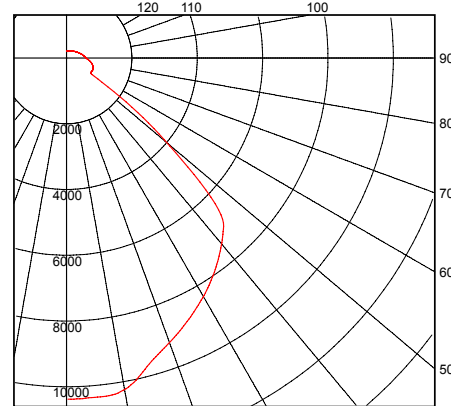
Photometric values based upon tests performed in compliance w/ LM-79. Download IES files at www.ilp-inc.com

DHB-200WLED-UNIV-50-AD22

SUMMARY DATA

HEMISPHERES TESTED:	BOTH
EFFICIENCY (Downlight):	90.1 %
EFFICIENCY (Uplight):	9.9 %
CIE CLASSIFICATION:	DIRECT
SPACING CRITERION	1.21
LUMENS:	24092.47
INPUT WATTS:	193.09

CANDELA PLOT



Axially Symmetric

Photometric values based upon tests performed in compliance w/ LM-79. Download IES files at www.ilp-inc.com