

Project Name:	Part Number:	Type:
---------------	--------------	-------

LANCE

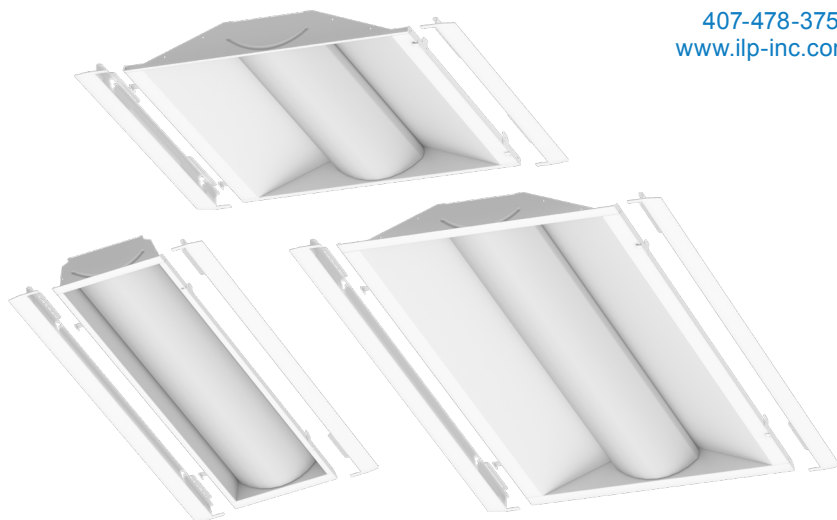
VOLUMETRIC TROFFER RETROFIT KIT



407-478-3759
www.ilp-inc.com

FEATURES

- Troffer Retrofit Kit for recessed lighting applications
- One-piece unit with two universal mounting brackets
- Average install time less than 3 minutes
- Lightweight aluminum matte white finish body
- High transmission extruded PMMA frosted acrylic lens
- Air Return Options
- 1x4, 2x2, 2x4 sizes
- 2,300 – 6,200 Delivered Lumens
- High Efficacy – Up to 155 lm/W
- 3000K – 5000K CCT
- 80 CRI Option
- Calculated L70 > 100,000 hours
- 0-10V Dimmable Driver (Dims to 10%)
- 5 Year Warranty (std); 10 Year Warranty Optional
- ETL Listed for UL1598C
- DesignLights Consortium® Premium Qualified Luminaire
- Build America Buy America (BABA) Compliant



SUITABLE APPLICATIONS

- Education
- Healthcare
- Offices
- Hallways
- Multipurpose Rooms
- Conference Rooms

ORDERING GUIDE

SERIES	LUMENS (Select 1)		DRIVER	80CRI / CCT	FINISH	AIR RETURN	WARRANTY	COMPLIANCE
LANCE14	23L	40L	U ¹ 120-277V	50	BLANK	BLANK	BLANK 5 Year	BABA
LANCE Troffer Kit 1'x4'	29L	49L		40	Pre-paint white	Std. Mounting Brackets	10YR ² 10 Year	Build America Buy America Compliant
		61L		35	PAF	AR/W		
				30	Post-paint white	Air Return White Reveal		
LANCE22	24L	37L				AR/B		
LANCE Troffer Kit 2'x2'	31L	48L				Air Return Black Reveal		
		34L						
LANCE24	30L	49L						
LANCE Troffer Kit 2'x4'	37L	54L						
		43L						
		62L						

¹ Standard 120-277V Driver dimmable down to 10%

² Contact Factory for more details

SYSTEMS INFO ¹	3000K CCT		3500K CCT		4000K CCT		5000K CCT		Watts ²	CRI	Replaces
	Part #	Lumens	LPW	Lumens	LPW	Lumens	LPW	Lumens			
LANCE14-23L	2,170	131	2,223	134	2,277	137	2,394	144	17 W	>80	1T8
LANCE14-29L	2,755	131	2,822	134	2,892	137	3,037	144	21 W	>80	2T8
LANCE14-40L	3,765	129	3,858	132	3,952	136	4,152	142	29 W	>80	2T8
LANCE14-49L	4,656	124	4,831	127	4,947	130	5,199	137	38 W	>80	2T8
LANCE14-61L	5,774	127	5,915	130	6,059	133	6,310	135	46 W	>80	3T8
LANCE22-24L	2,187	128	2,359	139	2,448	144	2,561	151	17 W	>80	2T8
LANCE22-31L	2,891	136	3,005	142	3,120	147	3,264	154	21 W	>80	2T8
LANCE22-34L	3,162	127	3,209	129	3,256	130	3,403	134	25 W	>80	3T8
LANCE22-37L	3,446	129	3,582	134	3,717	139	3,889	146	27 W	>80	3T8
LANCE22-48L	4,265	124	4,614	135	4,789	140	5,008	146	34 W	>80	4T8
LANCE24-30L	2,836	133	2,921	137	3,004	141	3,128	147	21 W	>80	2T8
LANCE24-37L	3,530	132	3,634	136	3,738	140	3,891	145	27 W	>80	2T8
LANCE24-43L	4,095	140	4,215	144	4,339	149	4,516	155	29 W	>80	3T8
LANCE24-49L	4,619	136	4,758	140	4,892	144	5,094	150	34 W	>80	3T8
LANCE24-54L	5,050	128	5,225	132	5,373	136	5,596	142	40 W	>80	3T8
LANCE24-62L	5,877	129	6,049	133	6,222	137	6,482	142	46 W	>80	4T8

¹ LED Chips are frequently updated therefore values are nominal

² Electrical data at 25C (77F). Actual wattage may differ by +/-10%.

³ Please refer to the DLC Qualified Products List at www.Designlights.org/QPL to confirm specific product qualifications.

LANCE

VOLUMETRIC TROFFER RETROFIT KIT

SPECIFICATIONS

CONSTRUCTION

Light weight aluminum white body for rigidity, durability & ease of installation. One-piece unit with two universal mounting brackets for quick and easy installation. Optional paint after fabrication.

ELECTRICAL

Class 2 LED light engine for high efficacy and long life. Calculated L70 > 100,000 hours. LED Lumen Maintenance Estimates based on TM-21 projections for the light source at 25°C ambient. Power Factor > 0.90. Standard 120-277 VAC 0-10V dimmable (10%-100%).

MOUNTING

One-piece door frame light engine with two universal mounting brackets for easy installation. See page 4 for step-by-step troffer kit installation instructions. Air return options include slots in mounting rails.

WARRANTY

5 Year Warranty Standard; 10 Year Warranty Optional ([Terms and Conditions apply](#)).

OPTICS

Standard high transmission extruded PMMA frosted acrylic volumetric lens. Removable lens for easy access to LED board and maintenance.

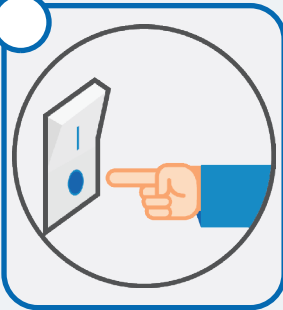
TROFFER COMPATIBILITY

LANCE is designed to fit into most existing parabolic and lensed troffers with a housing depth of 3 1/8" or greater. ILP recommends a test installation prior to ordering project quantities. Contact factory for additional troffer compatibility confirmation and custom size configuration options.

CERTIFICATIONS

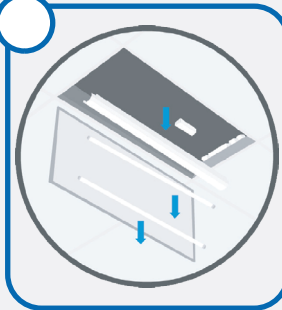
ETL Listed to US & Canadian safety standards. ETL Listed for UL1598C. Suitable for damp locations. American Recovery & Reinvestment Act Funding Compliant. BABA Compliant. DLC (DesignLights Consortium) Premium Qualified, with some Standard Qualified configurations. Please refer to the DLC Qualified Products List at www.designlights.org/QPL to confirm specific product qualifications.

INSTALLATION INSTRUCTIONS



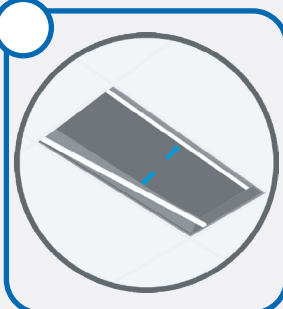
STEP 1

Shut off or disconnect power to the fixture.



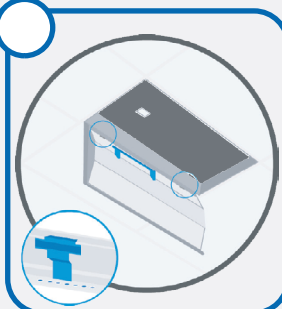
STEP 2

Remove existing fluorescent lamps and components, then disconnect existing connections to the fluorescent ballast.



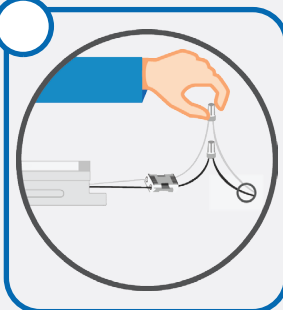
STEP 3

Gently lift the original housing and insert the brackets between the housing and the T-grid. Allow the housing to rest on the brackets, securing them in place. Optional tether included on the mounting brackets to secure the kit to the housing.



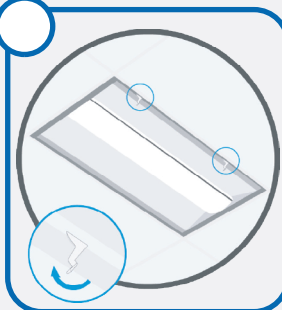
STEP 4

Hang the LANCE body by hooking the T-hinges into the respective slots in the bracket.



STEP 5

Connect the LANCE to AC power and ground.



STEP 6

Rotate the LANCE body up into the fixture and close the latches. Turn on or reconnect power to the fixture to complete the installation.

ILP recommends a test installation prior to ordering project quantities.

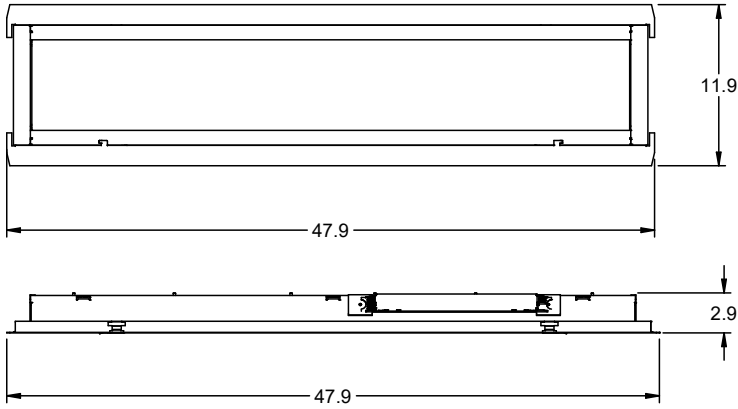
LANCE

VOLUMETRIC TROFFER RETROFIT KIT

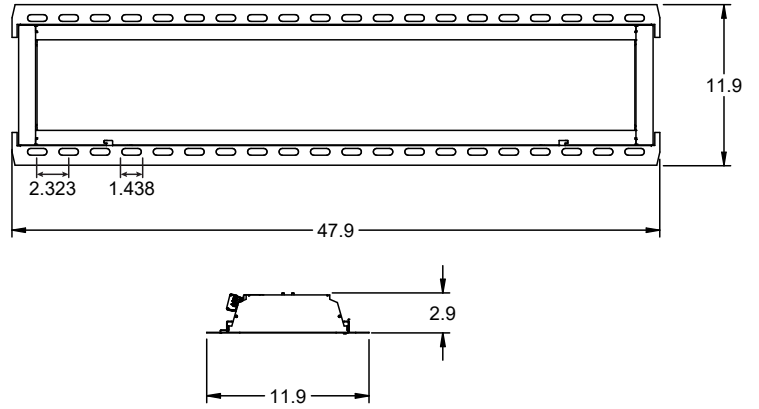
LINE DRAWINGS

1'x4'

Shown with standard bracket

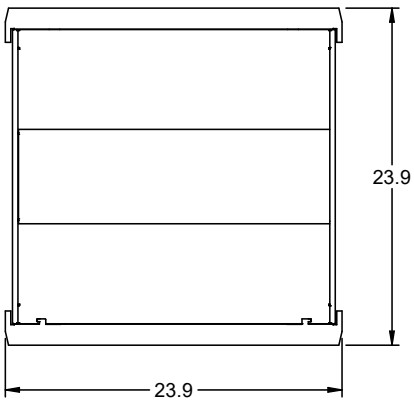


Shown with Air Return bracket

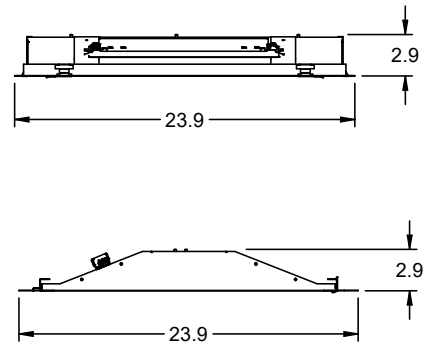
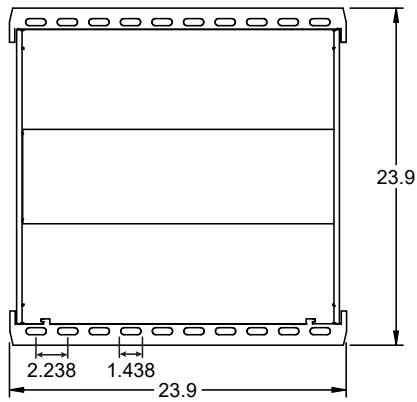


2'x2'

Shown with standard bracket

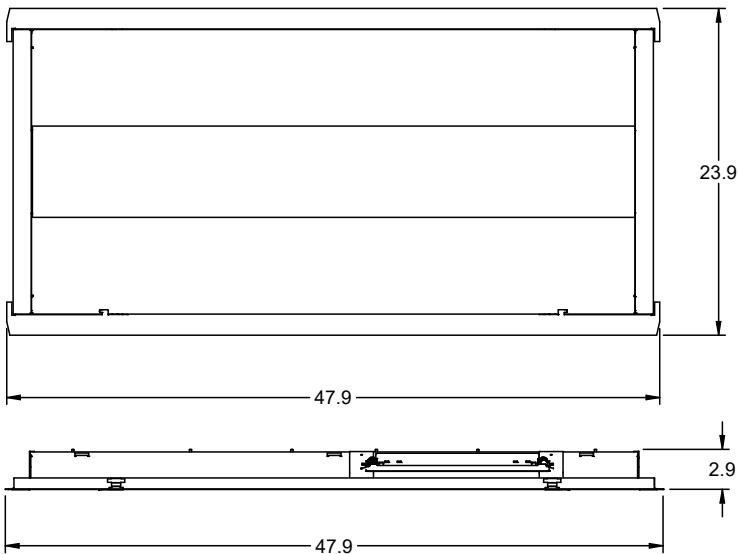


Shown with Air Return bracket

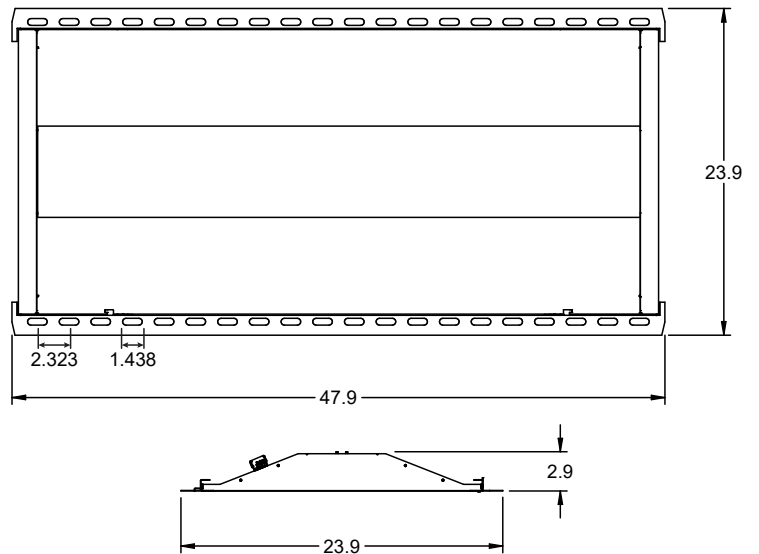


2'x4'

Shown with standard bracket



Shown with Air Return bracket



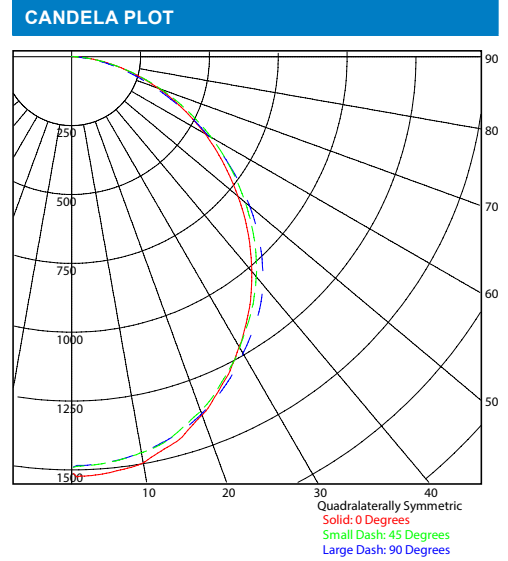
LANCE

VOLUMETRIC TROFFER RETROFIT KIT

PHOTOMETRIC DATA

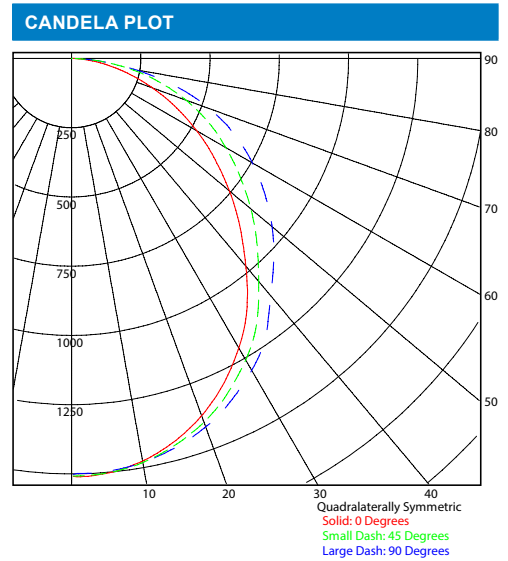
LUMINAIRE DATA	
Part Number	LANCE14-40L-U-40
Description	Latch and Close LED Troffer Retrofit Kit for 1x4 fixture, 4,000lm, with Frosted Acrylic Lens.
Fixture Lumens (lm)	3,952 lm
Wattage (W)	29 W
Efficacy (lm/W)	136 lm/W
Mounting	Recessed
Spacing Criteria	0° = 1.22, 90° = 1.24

ZONAL LUMEN SUMMARY		
Zone	Lumens (lm)	% Fixture
0° - 40°	1,858	47%
0° - 60°	3,203	81%
0° - 90°	3,952	100%
90° - 180°	0	0%
0° - 180°	3,952	100%



LUMINAIRE DATA	
Part Number	LANCE22-37L-U-40
Description	Latch and Close LED Troffer Retrofit Kit for 2x2 fixture, 3,700lm, with Frosted Acrylic Lens.
Fixture Lumens (lm)	3,717 lm
Wattage (W)	27 W
Efficacy (lm/W)	139 lm/W
Mounting	Recessed
Spacing Criteria	0° = 1.20, 90° = 1.30

ZONAL LUMEN SUMMARY		
Zone	Lumens (lm)	% Fixture
0° - 40°	1,652	44%
0° - 60°	2,875	77%
0° - 90°	3,717	100%
90° - 180°	0	0%
0° - 180°	3,717	100%



LUMINAIRE DATA	
Part Number	LANCE24-43L-U-40
Description	Latch and Close LED Troffer Retrofit Kit for 2X4 fixture, 4,300lm, with frosted acrylic lens.
Fixture Lumens (lm)	4,339 lm
Wattage (W)	29 W
Efficacy (lm/W)	149 lm/W
Mounting	Recessed
Spacing Criteria	0° = 1.20, 90° = 1.30

ZONAL LUMEN SUMMARY		
Zone	Lumens (lm)	% Fixture
0° - 40°	1,860	43%
0° - 60°	3,311	76%
0° - 90°	4,339	100%
90° - 180°	0	0%
0° - 180°	4,339	100%

