



PRODUCT
OVERVIEW



SCAN OR
CLICK HERE

FEATURES

- Sleek cylindrical design ideal for surface-mounted applications, combining modern aesthetics with robust functionality.
- Chip scale package LED board delivers up to 120 LPW with 3 selectable lumen outputs optimized for energy efficiency and superior illumination.
- Selectable color temperatures (3000K/3500K/4000K) in one fixture provide flexibility while precision beam control is realized with 15°, 25°, 40°, and 60° factory interchangeable optics for tailored lighting performance.
- Constructed with a premium proprietary die-cast aluminum housing and stainless-steel hardware for durability and longevity in demanding environments.
- Includes integrated photocell with optional override switch for energy savings and automated dusk to dawn functionality.
- Factory and field-installable emergency lighting options enhance adaptability and functionality.

DIGITAL NAVIGATION

Explore the spec sheet through the links below

[ORDERING GUIDE](#)

[CONTROLS](#)

[QUICK SHIP](#)

[LINE DRAWINGS](#)

[LED SYSTEMS TABLE](#)

[PHOTOMETRIC DATA](#)



SUITABLE APPLICATIONS

- Retail
- Hospitality
- Multifamily
- Education
- Healthcare
- Building Exterior

CERTIFICATIONS



SPECIFICATIONS

CONSTRUCTION

The fixture features a compact, robust die-cast aluminum body designed for durability in demanding environments. The proprietary die-cast aluminum canopy mounts with a steel mounting plate for easy installation. The housing is available in standard Bronze and optional Black, White, Silver, Natural Aluminum, or custom colors to meet diverse design needs. A gasketed tempered glass diffuser provides superior impact resistance and seals the reflector assembly, ensuring optimal performance and longevity. IP65-rated for complete ingress protection.

ELECTRICAL

Equipped with a high-performance driver featuring over-voltage, under-voltage, short circuit and over temperature protection. Standard Universal Voltage (120-277 Vac) Input 50/60 Hz with 0-10V dimming down to 5%. A standard surge protection rating of 4kV enhances reliability, safeguarding against power fluctuations. Unify Wall Mount includes 3 selectable lumen outputs and the standard Lumen Output is the highest allowable selection with factory set options available. Emergency options are available for field installation, offering at least 90 minutes of backup lighting during power outages.

INSTALLATION

Designed for hassle-free installation, the fixture supports direct mounting on horizontal surfaces with standard junction boxes or conduit entry points. The integrated Lumen Selection and CCT tuning selector streamlines setup while reducing installation complexity.

THERMALS

The die-cast aluminum heat sink is engineered for maximum passive thermal dissipation, ensuring consistent performance across the product's lifespan. Rated for operation in ambient temperatures ranging from -40°F to 104°F (-40°C to 40°C), the fixture achieves an L70 rated lifetime of 60,000 hours, with a calculated L70 of 135,000 hours for extended reliability in commercial and industrial settings.

OPTICS

The advanced optical system offers factory selectable beam distributions of 15°, 25°, 40°, or 60°, providing precision lighting. Featuring diffuse reflectors, the optics deliver high-efficiency illumination with minimal glare. The CCT selectability allows for dip switch tuning across 3000K, 3500K, and 4000K, enabling adaptability for various settings. Standard CCT is 3500K. Minimum CRI of 80 ensures accurate color rendering.

CERTIFICATIONS

ETL Listed for wet locations. IP65 Rated per IEC 60598. Tested in accordance with IESNA LM-79 and LM-80 standards. RoHS Compliant. Title 24 Compliant; see local ordinance for qualification information. FCC Part A compliant for electromagnetic compatibility.

WARRANTY

5 Year Warranty Standard; 10 Year Warranty Optional (Terms and Conditions apply).

ORDERING GUIDE

PART #

Example: UC3D-07L/09L/11L-U-CCTS-W-SM-BRZ

SIZE		LUMEN PACKAGE	
UC	Unify Outdoor Cylinder	3D 3" Down	07L/09L/11L 11L 09L 07L
		4D 4" Down	14L/18L/21L 21L 18L 14L
		6D 6" Down	22L/26L/32L 32L 26L 22L

VOLTAGE	
U	120-277V

COLOR TEMP	
CCTS	30K/35K/40K
30	3000K
35	3500K
40	4000K

DISTRIBUTION	
S	Spot 15°
N	Narrow 25°
M	Medium 40°
W	Wide Flood 60°

MOUNTING	
SM	Surface Mount

FINISH	
BRZ	Bronze
BLK	Black
SLV	Silver
WHT	White
NAT	Natural Aluminum
RALxxxx	Custom Color

WARRANTY	
BLANK	5 Year
10YR	10 Year

SHIP WITH ACCESSORIES	
37934 ¹	Field Installed 8W Emergency Inverter - CEC Compliant (Damp location only)
37935 ¹	Field Installed 21W Emergency Inverter - CEC Compliant (Damp location only)
FHUPS1-UNV-25L-SD ¹	Field Installed 25W Emergency Inverter - CEC Compliant (Damp location only)

FOOTNOTES

¹ Max remote distance - 250ft @16AWG, 164ft @18AWG



QUICK SHIP ITEMS

PRODUCT	DESCRIPTION	UPC CODE
UC3D-07L/09L/11L-U-CCTS-W-SM-BRZ	3" Surface Mount Cylinder, Lumens, 30K/35K/40K CCT Selectable, Bronze Finish	7 90492 38427 5
UC4D-14L/18L/21L-U-CCTS-W-SM-BRZ	4" Surface Mount Cylinder, Lumens, 30K/35K/40K CCT Selectable, Bronze Finish	7 90492 38428 2
UC6D-22L/26L/32L-U-CCTS-W-SM-BRZ	6" Surface Mount Cylinder, Lumens, 30K/35K/40K CCT Selectable, Bronze Finish	7 90492 38429 9

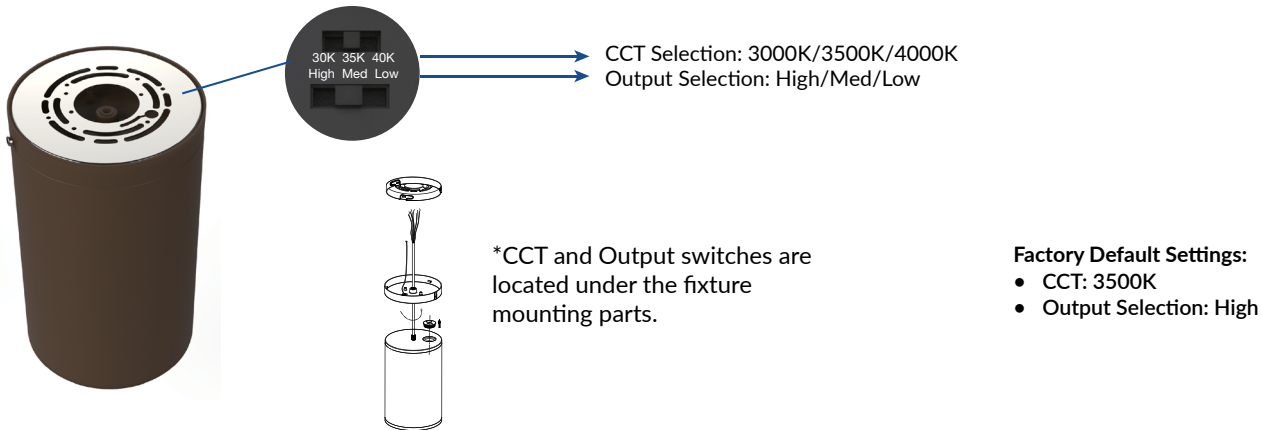
QUICK SHIP ACCESSORIES

37934	Field Installed 8W Emergency Inverter - CEC Compliant (Damp location only)
37935	Field Installed 21W Emergency Inverter - CEC Compliant (Damp location only)
FHUPS1-UNV-25L-SD	Field Installed 25W Emergency Inverter - CEC Compliant (Damp location only)

FOOTNOTES

¹Max remote distance - 250ft @16AWG, 164ft @18AWG

SETTINGS INFORMATION



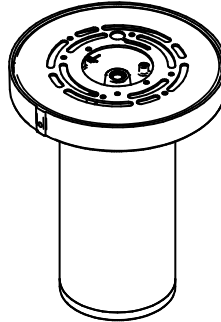
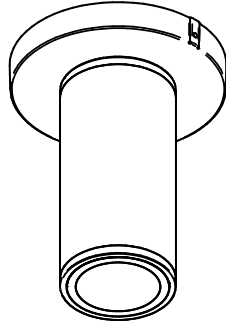
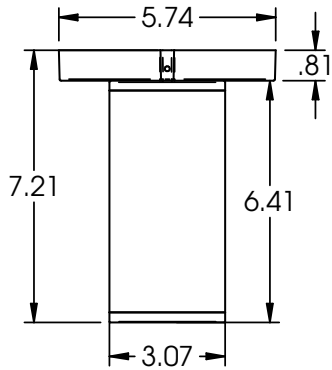
LED SYSTEMS INFO ¹		3000K CCT		3500K CCT		4000K CCT		Wattage ²
Part #	Distribution	Lumens	Efficacy	Lumens	Efficacy	Lumens	Efficacy	
UC3D-07L/09L/11L-U-CCTS	W	659/870/1076	113/112/111	683/901/1115	117/116/115	660/871/1078	114/112/111	6/8/10
	M	645/852/1055	111/110/109	672/887/1098	115/114/113	658/868/1075	111/110/109	
	N	652/861/1066	112/111/110	676/892/1104	116/115/114	653/862/1067	112/111/110	
	S	657/868/1073	113/112/111	681/899/1112	117/116/115	658/868/1075	113/112/111	
UC3D-07L-U-CCTS	W	659	113	683	117	660	114	6
	M	645	111	672	115	658	111	
	N	652	112	676	116	653	112	
	S	657	113	681	117	658	113	
UC3D-09L-U-CCTS	W	870	112	901	116	871	112	8
	M	852	110	887	114	868	110	
	N	861	111	892	115	862	111	
	S	868	112	899	116	868	112	
UC3D-11L-U-CCTS	W	1076	111	1115	115	1078	111	10
	M	1055	109	1098	113	1075	109	
	N	1066	110	1104	114	1067	110	
	S	1073	111	1112	115	1075	111	
UC4D-14L/18L/21L-U-CCTS	W	1237/1633/2021	105/104/103	1307/1726/2136	111/110/109	1241/1639/2028	106/105/104	12/16/20
	M	1213/1602/1983	104/103/102	1277/1685/2086	109/108/107	1243/1641/2030	104/103/102	
	N	1229/1622/2008	105/104/103	1299/1715/2122	111/110/109	1234/1629/2016	105/104/103	
	S	1225/1617/2002	105/104/103	1403/1853/2293	120/119/117	1328/1753/2169	113/112/111	
UC4D-14L-U-CCTS	W	1237	105	1307	111	1241	106	12
	M	1213	104	1277	109	1243	104	
	N	1229	105	1299	111	1234	105	
	S	1225	105	1403	120	1328	113	
UC4D-18L-U-CCTS	W	1633	104	1726	110	1639	105	16
	M	1602	103	1685	108	1641	103	
	N	1622	104	1715	110	1629	104	
	S	1617	104	1853	119	1753	112	
UC4D-21L-U-CCTS	W	2021	103	2136	109	2028	104	20
	M	1983	102	2086	107	2030	102	
	N	2008	103	2122	109	2016	103	
	S	2002	103	2293	117	2169	111	
UC6D-22L/26L/32L-U-CCTS	W	1721/2273/2814	99/98/98	1972/2603/3222	114/113/112	1866/2463/3048	108/107/106	18/24/30
	M	1705/2251/2787	99/98/97	1953/2578/3191	113/112/111	1848/2439/3019	107/106/105	
	N	1699/2243/2776	98/97/96	1946/2569/3180	113/111/110	1841/2431/3009	106/105/104	
	S	1688/2229/2757	98/97/96	1907/2517/3115	112/111/110	1877/2478/3066	106/105/104	
UC6D-22L-U-CCTS	W	1721	99	1972	114	1866	108	18
	M	1705	99	1953	113	1848	107	
	N	1699	98	1946	113	1841	106	
	S	1688	98	1907	112	1877	106	
UC6D-26L-U-CCTS	W	2273	98	2603	113	2463	107	24
	M	2251	98	2578	112	2439	106	
	N	2243	97	2569	111	2431	105	
	S	2229	97	2517	111	2478	105	
UC6D-32L-U-CCTS	W	2814	98	3222	112	3048	106	30
	M	2787	97	3191	111	3019	105	
	N	2776	96	3180	110	3009	104	
	S	2757	96	3115	110	3066	104	

¹ Values are nominal, check IES file for more detail

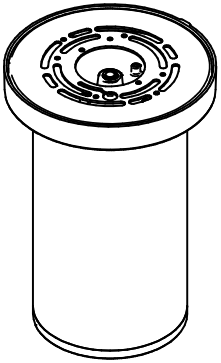
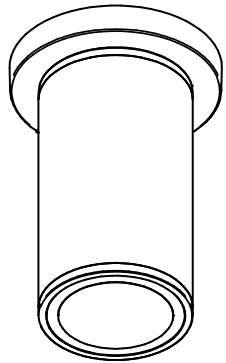
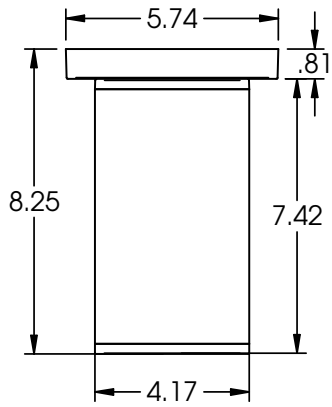
² Electrical data at 25C (77F). Actual wattage may differ by +/-10%

LINE DRAWINGS

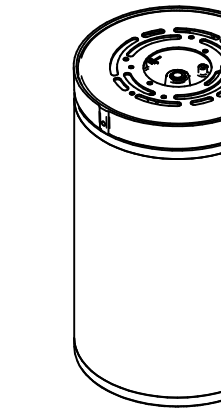
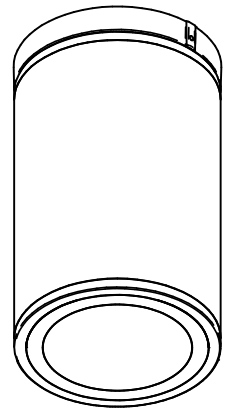
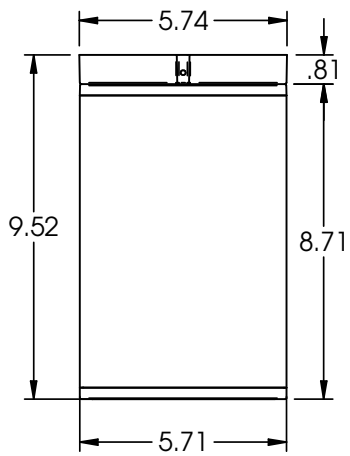
SM 3 INCH



SM 4 INCH



SM 6 INCH

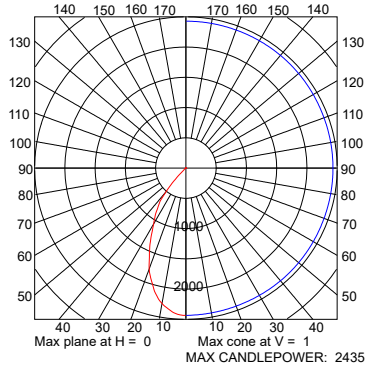


PHOTOMETRIC DATA

LUMINAIRE DATA

Part Number	UC4D-21L-U-40-W-SM
Description	Unify Cylinder 4" Down, 2100lm, 4000K, Wide Flood 60° Distribution
Fixture Lumens (lm)	2,028 lm
Wattage (W)	19.5 W
Efficacy (lm/W)	104 lm/W
Mounting	Surface Mounted

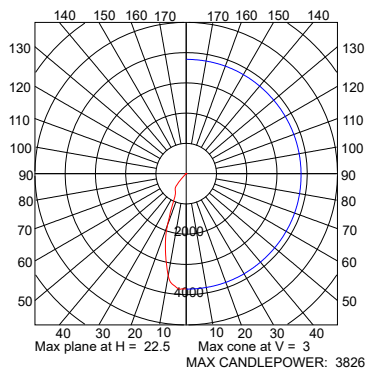
CANDELA PLOT



LUMINAIRE DATA

Part Number	UC4D-21L-U-40-M-SM
Description	Unify Cylinder 4" Down, 2100lm, 4000K, Medium 40° Distribution
Fixture Lumens (lm)	2,030 lm
Wattage (W)	19.9 W
Efficacy (lm/W)	102 lm/W
Mounting	Surface Mounted

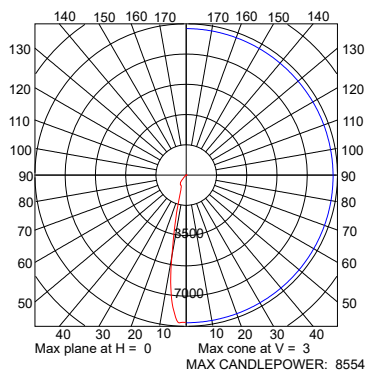
CANDELA PLOT



LUMINAIRE DATA

Part Number	UC4D-21L-U-40-N-SM
Description	Unify Cylinder 4" Down, 2100lm, 4000K, Narrow 25° Distribution
Fixture Lumens (lm)	2,016 lm
Wattage (W)	19.5 W
Efficacy (lm/W)	103 lm/W
Mounting	Surface Mounted

CANDELA PLOT



LUMINAIRE DATA

Part Number	UC4D-21L-U-40-S-SM
Description	Unify Cylinder 4" Down, 2100lm, 4000K, Spot 15° Distribution
Fixture Lumens (lm)	2,169 lm
Wattage (W)	19.5 W
Efficacy (lm/W)	111 lm/W
Mounting	Surface Mounted

CANDELA PLOT

