


**PRODUCT
OVERVIEW**

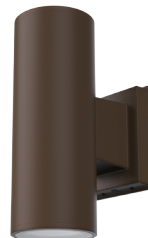
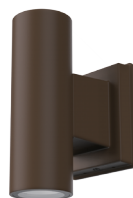
**SCAN OR
CLICK HERE**

FEATURES

- Provides uplight, downlight, or a combination of both for enhanced design flexibility and application versatility.
- Chip scale package LED board delivers up to 120 LPW with 3 selectable lumen outputs optimized for energy efficiency and superior illumination.
- Selectable color temperatures (3000K/3500K/4000K) in one fixture provide flexibility while precision beam control is realized with 15°, 25°, 40°, and 60° factory interchangeable optics for tailored lighting performance.
- Constructed with a premium proprietary die-cast aluminum housing and stainless-steel hardware for durability and longevity in demanding environments.
- Includes integrated photocell with optional override switch for energy savings and automated dusk to dawn functionality.
- Factory and field-installable emergency lighting options enhance adaptability and functionality.

DIGITAL NAVIGATION

Explore the spec sheet through the links below

[ORDERING GUIDE](#)
[CONTROLS](#)
[QUICK SHIP](#)
[LINE DRAWINGS](#)
[LED SYSTEMS TABLE](#)
[PHOTOMETRIC DATA](#)


SUITABLE APPLICATIONS

- Retail
- Hospitality
- Multifamily
- Education
- Healthcare
- Building Exterior

CERTIFICATIONS



SPECIFICATIONS

CONSTRUCTION

The fixture features a compact, robust die-cast aluminum body designed for durability in demanding environments. The proprietary die-cast aluminum arm with steel mounting plate includes an integrated bubble level for easy installation. The housing is available in standard Bronze and optional Black, White, Silver, Natural Aluminum, or custom colors to meet diverse design needs. A gasketed tempered glass diffuser provides superior impact resistance and seals the reflector assembly, ensuring optimal performance and longevity. IP65-rated for complete ingress protection.

ELECTRICAL

Equipped with a high-performance driver featuring over-voltage, under-voltage, short circuit and over temperature protection. Standard Universal Voltage (120-277 Vac) Input 50/60 Hz with 0-10V dimming down to 5%. A standard surge protection rating of 4kV enhances reliability, safeguarding against power fluctuations. Unify Wall Mount includes 3 selectable lumen outputs and the standard Lumen Output is the highest allowable selection with factory set options available. Emergency options are available for field or factory installation, offering at least 90 minutes of backup lighting during power outages.

INSTALLATION

Designed for hassle-free installation, the fixture supports direct mounting on walls with standard junction boxes or conduit entry points. The integrated Lumen Selection, CCT tuning, and photocell selector streamline setup while reducing installation complexity. Quick Ship models include Beam Selectability.

THERMALS

The die-cast aluminum heat sink is engineered for maximum passive thermal dissipation, ensuring consistent performance across the product's lifespan. Rated for operation in ambient temperatures ranging from -40°F to 104°F (-40°C to 40°C), the fixture achieves an L70 rated lifetime of 60,000 hours, with a calculated L70 of 135,000 hours for extended reliability in commercial and industrial settings.

OPTICS

The advanced optical system offers factory selectable beam distributions of 15°, 25°, 40°, or 60°, providing precision lighting for both direct and indirect applications. Featuring diffuse reflectors, the optics deliver high-efficiency illumination with minimal glare. The CCT selectability allows for dip switch tuning across 3000K, 3500K, and 4000K, enabling adaptability for various settings. Standard CCT is 4000K. Minimum CRI of 80 ensures accurate color rendering.

CERTIFICATIONS

ETL Listed for wet locations. IP65 Rated per IEC 60598. Tested in accordance with IESNA LM-79 and LM-80 standards. RoHS Compliant. Title 24 Compliant; see local ordinance for qualification information. FCC Part A compliant for electromagnetic compatibility.

WARRANTY

5 Year Warranty Standard; 10 Year Warranty Optional (Terms and Conditions apply).



ORDERING GUIDE

PART #

Example: UC3UD-07L/09L/12L-U-CCTS-W-S-WM-BRZ

SIZE		LUMEN PACKAGE		VOLTAGE	COLOR TEMP	DOWN DISTRIBUTION	UP DISTRIBUTION
UC Unify Outdoor Cylinder	3D 3" Down	04L/05L/06L 04L 05L 06L		U 120-277V	CCTS 30K/35K/40K 30 3000K 35 3500K 40 4000K	BLANK None (D or UD only) S Spot 15° N Narrow 25° M Medium 40° W Wide Flood 60°	BLANK None (U or UD only) S Spot 15° N Narrow 25° M Medium 40° W Wide Flood 60°
	3U 3" Up	04L/05L/06L 04L 05L 06L					
	3UD 3" Up/Down	07L/09L/12L 07L 09L 12L					
	4D 4" Down	07L/09L/11L 07L 09L 11L					
	4U 4" Up	07L/09L/11L 07L 09L 11L					
	4UD 4" Up/Down	14L/18L/22L 14L 18L 22L					
	6D 6" Down	13L/16L/19L 13L 16L 19L					
	6U 6" Up	13L/16L/19L 13L 16L 19L					
	6UD 6" Up/Down	26L/32L/39L 26L 32L 39L					

MOUNTING	
WM	Wall Mount

FINISH	
BRZ	Bronze
BLK	Black
SLV	Silver
WHT	White
NAT	Natural Aluminum
RALxxxx	Custom Color

EMERGENCY	
BLANK	None
EM8 ^{2,3}	Factory Installed 8W Emergency Inverter - CEC Compliant

WARRANTY	
BLANK	5 Year
10YR	10 Year

SHIP WITH ACCESSORIES	
37934 ¹	Field Installed 8W Emergency Inverter - CEC Compliant (Damp location only)
37935 ¹	Field Installed 21W Emergency Inverter - CEC Compliant (Damp location only)
FHUPS1-UNV-25L-SD ¹	Field Installed 25W Emergency Inverter - CEC Compliant (Damp location only)

FOOTNOTES

¹ Max remote distance - 250ft @16AWG, 164ft @18AWG

³ Requires external EM box. See page 5 for more information

² Long lead time item, consult factory



QUICK SHIP ITEMS

PRODUCT	DESCRIPTION	UPC CODE
UC3UD-07L/09L/12L-U-CCTS-W-W-WM-BRZ	3" Wall Mount Cylinder, Lumens, 30K/35K/40K CCT Selectable, Bronze Finish	7 90492 38424 4
UC4UD-14L/18L/22L-U-CCTS-W-W-WM-BRZ	4" Wall Mount Cylinder, Lumens, 30K/35K/40K CCT Selectable, Bronze Finish	7 90492 38425 1
UC6UD-26L/32L/39L-U-CCTS-W-W-WM-BRZ	6" Wall Mount Cylinder, Lumens, 30K/35K/40K CCT Selectable, Bronze Finish	7 90492 38426 8

QUICK SHIP ACCESSORIES

37934 ¹	Field Installed 8W Emergency Inverter - CEC Compliant (Damp location only)
37935 ¹	Field Installed 21W Emergency Inverter - CEC Compliant (Damp location only)
FHUPS1-UNV-25L-SD ¹	Field Installed 25W Emergency Inverter - CEC Compliant (Damp location only)

FOOTNOTES

¹Max remote distance - 250ft @16AWG, 164ft @18AWG

SETTINGS INFORMATION



- Photocell Activation: ON/OFF
- CCT Selection: 3000K/3500K/4000K
- Distribution Selection*: Down/Full/Up
- Output Selection: Low/Med/High

Factory Default Settings:

- Photocell: ON
- CCT: 4000K
- Output Selection: High
- Distribution Setting: Up/Down *

* Quickship models only

LED SYSTEMS INFO ¹		3000K CCT		3500K CCT		4000K CCT		Wattage ²
Part #	Distribution	Lumens	Efficacy	Lumens	Efficacy	Lumens	Efficacy	
UC3D-04L/05L/06L-U-CCTS	W	364/481/596	115/114/113	377/497/615	120/119/117	377/498/616	118/117/116	3/4/5
	M	371/490/607	118/116/115	386/509/630	122/121/120	381/503/623	121/120/118	
	N	377/497/616	119/118/117	391/517/639	124/123/122	387/511/632	123/121/120	
	S	384/507/629	122/121/119	399/527/652	127/125/124	395/521/645	125/124/123	
UC3D-04L-U-CCTS	W	364	115	377	120	377	118	3
	M	371	118	386	122	381	121	
	N	377	119	391	124	387	123	
	S	384	122	399	127	395	125	
UC3D-05L-U-CCTS	W	481	114	497	119	498	117	4
	M	490	116	509	121	503	120	
	N	497	118	517	123	511	121	
	S	507	121	527	125	521	124	
UC3D-06L-U-CCTS	W	596	113	615	117	616	116	5
	M	607	115	630	120	623	118	
	N	616	117	639	122	632	120	
	S	629	119	652	124	645	123	
UC3U-04L/05L/06L-U-CCTS	W	364/481/596	115/114/113	377/497/615	120/119/117	377/498/616	118/117/116	3/4/5
	M	371/490/607	118/116/115	386/509/630	122/121/120	381/503/623	121/120/118	
	N	377/497/616	119/118/117	391/517/639	124/123/122	387/511/632	123/121/120	
	S	384/507/629	122/121/119	399/527/652	127/125/124	395/521/645	125/124/123	
UC3U-04L-U-CCTS	W	364	115	377	120	377	118	3
	M	371	118	386	122	381	121	
	N	377	119	391	124	387	123	
	S	384	122	399	127	395	125	
UC3U-05L-U-CCTS	W	481	114	497	119	498	117	4
	M	490	116	509	121	503	120	
	N	497	118	517	123	511	121	
	S	507	121	527	125	521	124	
UC3U-06L-U-CCTS	W	596	113	615	117	616	116	5
	M	607	115	630	120	623	118	
	N	616	117	639	122	632	120	
	S	629	119	652	124	645	123	
UC3UD-07L/09L/12L-U-CCTS	W	681/899/1112	115/114/113	711/939/1162	120/119/118	664/877/1086	112/111/110	6/8/10
	M	683/902/1116	115/114/113	714/943/1167	121/119/118	667/880/1089	113/112/110	
	N	693/915/1133	117/116/115	725/957/1184	122/121/120	677/894/1106	114/113/112	
	S	708/935/1157	120/118/117	740/977/1209	125/124/123	691/912/1129	117/116/114	
UC3UD-07L-U-CCTS	W	681	115	711	120	664	112	6
	M	683	115	714	121	667	113	
	N	693	117	725	122	677	114	
	S	708	120	740	125	691	117	
UC3UD-09L-U-CCTS	W	899	114	939	119	877	111	8
	M	902	114	943	119	880	112	
	N	915	116	957	121	894	113	
	S	935	118	977	124	912	116	
UC3UD-12L-U-CCTS	W	1112	113	1162	118	1086	110	10
	M	1116	113	1167	118	1089	110	
	N	1133	115	1184	120	1106	112	
	S	1157	117	1209	123	1129	114	

¹ Values are nominal, check IES file for more detail

² Electrical data at 25C (77F). Actual wattage may differ by +/-10%

LED SYSTEMS INFO ¹		3000K CCT		3500K CCT		4000K CCT		Wattage ²
Part #	Distribution	Lumens	Efficacy	Lumens	Efficacy	Lumens	Efficacy	
UC4D-07L/09L/11L-U-CCTS	W	723/936/1137	116/113/110	751/973/1181	121/118/114	743/962/1168	120/116/113	6/8/10
	M	736/953/1157	119/115/112	765/991/1202	123/120/116	756/980/1189	122/118/115	
	N	773/1002/1216	125/121/118	803/1041/1263	130/126/122	795/1029/1249	128/124/121	
	S	818/1059/1286	132/128/124	850/1101/1336	137/133/129	840/1088/1321	135/131/128	
UC4D-07L-U-CCTS	W	723	116	751	121	743	120	6
	M	736	119	765	123	756	122	
	N	773	125	803	130	795	128	
	S	818	132	850	137	840	135	
UC4D-09L-U-CCTS	W	936	113	973	118	962	116	8
	M	953	115	991	120	980	118	
	N	1002	121	1041	126	1029	124	
	S	1059	128	1101	133	1088	131	
UC4D-11L-U-CCTS	W	1137	110	1181	114	1168	113	10
	M	1157	112	1202	116	1189	115	
	N	1216	118	1263	122	1249	121	
	S	1286	124	1336	129	1321	128	
UC4U-07L/09L/11L-U-CCTS	W	723/936/1137	116/113/110	751/973/1181	121/118/114	743/962/1168	120/116/113	6/8/10
	M	736/953/1157	119/115/112	765/991/1202	123/120/116	756/980/1189	122/118/115	
	N	773/1002/1216	125/121/118	803/1041/1263	130/126/122	795/1029/1249	128/124/121	
	S	818/1059/1286	132/128/124	850/1101/1336	137/133/129	840/1088/1321	135/131/128	
UC4U-07L-U-CCTS	W	723	116	751	121	743	120	6
	M	736	119	765	123	756	122	
	N	773	125	803	130	795	128	
	S	818	132	850	137	840	135	
UC4U-09L-U-CCTS	W	936	113	973	118	962	116	8
	M	953	115	991	120	980	118	
	N	1002	121	1041	126	1029	124	
	S	1059	128	1101	133	1088	131	
UC4U-11L-U-CCTS	W	1137	110	1181	114	1168	113	10
	M	1157	112	1202	116	1189	115	
	N	1216	118	1263	122	1249	121	
	S	1286	124	1336	129	1321	128	
UC4UD-14L/18L/22L-U-CCTS	W	1301/1717/2125	112/111/110	1359/1795/2221	117/116/115	1270/1676/2075	109/108/107	12/16/20
	M	1309/1728/2140	113/112/111	1368/1806/2236	118/117/116	1278/1687/2088	110/109/108	
	N	1328/1754/2171	115/114/112	1388/1833/2268	120/119/117	1297/1712/2119	112/111/110	
	S	1353/1786/2210	117/115/114	1414/1867/2310	122/121/119	1321/1743/2158	114/113/112	
UC4UD-14L-U-CCTS	W	1301	112	1359	117	1270	109	12
	M	1309	113	1368	118	1278	110	
	N	1328	115	1388	120	1297	112	
	S	1353	117	1414	122	1321	114	
UC4UD-18L-U-CCTS	W	1717	111	1795	116	1676	108	16
	M	1728	112	1806	117	1687	109	
	N	1754	114	1833	119	1712	111	
	S	1786	115	1867	121	1743	113	
UC4UD-22L-U-CCTS	W	2125	110	2221	115	2075	107	20
	M	2140	111	2236	116	2088	108	
	N	2171	112	2268	117	2119	110	
	S	2210	114	2310	119	2158	112	

¹ Values are nominal, check IES file for more detail

² Electrical data at 25C (77F). Actual wattage may differ by +/-10%

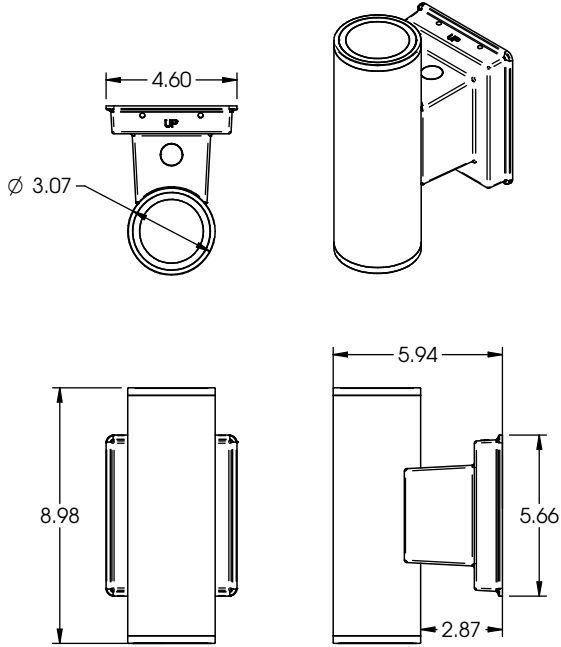
LED SYSTEMS INFO ¹		3000K CCT		3500K CCT		4000K CCT		Wattage ²
Part #	Distribution	Lumens	Efficacy	Lumens	Efficacy	Lumens	Efficacy	
UC6D-13L/16L/19L-U-CCTS	W	1266/1626/1955	115/110/106	1359/1745/2098	123/119/114	1332/1710/2055	119/115/110	11/15/18
	M	1304/1674/2012	118/114/110	1402/1800/2164	127/123/118	1355/1740/2092	123/119/114	
	N	1333/1711/2057	121/117/112	1433/1840/2212	130/125/121	1385/1779/2138	126/121/117	
	S	1430/1837/2207	130/125/121	1538/1975/2374	140/135/130	1487/1909/2295	135/130/125	
UC6D-13L-U-CCTS	W	1266	115	1359	123	1332	119	11
	M	1304	118	1402	127	1355	123	
	N	1333	121	1433	130	1385	126	
	S	1430	130	1538	140	1487	135	
UC6D-16L-U-CCTS	W	1626	110	1745	119	1710	115	15
	M	1674	114	1800	123	1740	119	
	N	1711	117	1840	125	1779	121	
	S	1837	125	1975	135	1909	130	
UC6D-19L-U-CCTS	W	1955	106	2098	114	2055	110	18
	M	2012	110	2164	118	2092	114	
	N	2057	112	2212	121	2138	117	
	S	2207	121	2374	130	2295	125	
UC6U-13L/16L/19L-U-CCTS	W	1266/1626/1955	115/110/106	1359/1745/2098	123/119/114	1332/1710/2055	119/115/110	11/15/18
	M	1304/1674/2012	118/114/110	1402/1800/2164	127/123/118	1355/1740/2092	123/119/114	
	N	1333/1711/2057	121/117/112	1433/1840/2212	130/125/121	1385/1779/2138	126/121/117	
	S	1430/1837/2207	130/125/121	1538/1975/2374	140/135/130	1487/1909/2295	135/130/125	
UC6U-13L-U-CCTS	W	1266	115	1359	123	1332	119	11
	M	1304	118	1402	127	1355	123	
	N	1333	121	1433	130	1385	126	
	S	1430	130	1538	140	1487	135	
UC6U-16L-U-CCTS	W	1626	110	1745	119	1710	115	15
	M	1674	114	1800	123	1740	119	
	N	1711	117	1840	125	1779	121	
	S	1837	125	1975	135	1909	130	
UC6U-19L-U-CCTS	W	1955	106	2098	114	2055	110	18
	M	2012	110	2164	118	2092	114	
	N	2057	112	2212	121	2138	117	
	S	2207	121	2374	130	2295	125	
UC6UD-26L/32L/39L-U-CCTS	W	2377/3138/3883	117/116/115	2510/3314/4101	124/123/121	2424/3200/3960	120/118/117	22/29/35
	M	2455/3241/4010	121/120/119	2592/3422/4235	128/127/125	2503/3305/4090	124/122/121	
	N	2492/3291/4072	123/122/121	2632/3475/4300	130/129/127	2541/3355/4153	126/124/123	
	S	2663/3516/4351	131/130/129	2812/3713/4595	139/137/136	2716/3585/4437	134/133/131	
UC6UD-26L-U-CCTS	W	2377	117	2510	124	2424	120	22
	M	2455	121	2592	128	2503	124	
	N	2492	123	2632	130	2541	126	
	S	2663	131	2812	139	2716	134	
UC6UD-32L-U-CCTS	W	3138	116	3314	123	3200	118	29
	M	3241	120	3422	127	3305	122	
	N	3291	122	3475	129	3355	124	
	S	3516	130	3713	137	3585	133	
UC6UD-39L-U-CCTS	W	3883	115	4101	121	3960	117	35
	M	4010	119	4235	125	4090	121	
	N	4072	121	4300	127	4153	123	
	S	4351	129	4595	136	4437	131	

¹ Values are nominal, check IES file for more detail

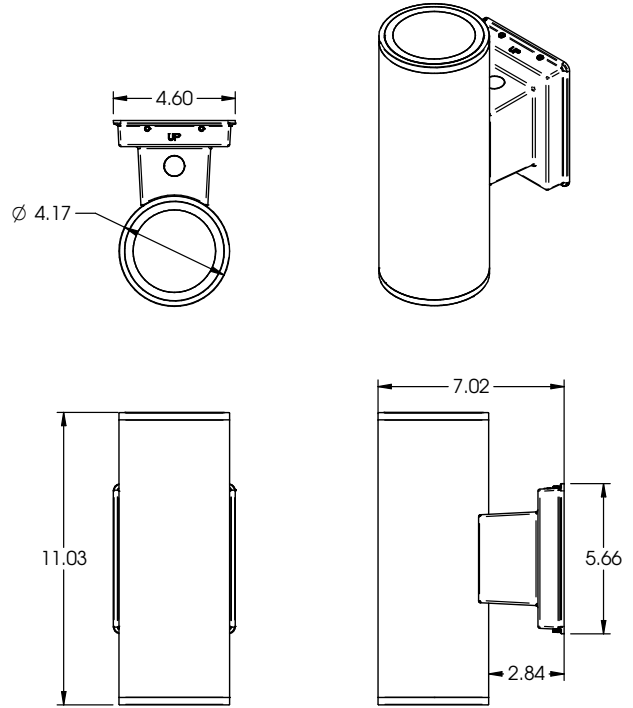
² Electrical data at 25C (77F). Actual wattage may differ by +/-10%

LINE DRAWINGS

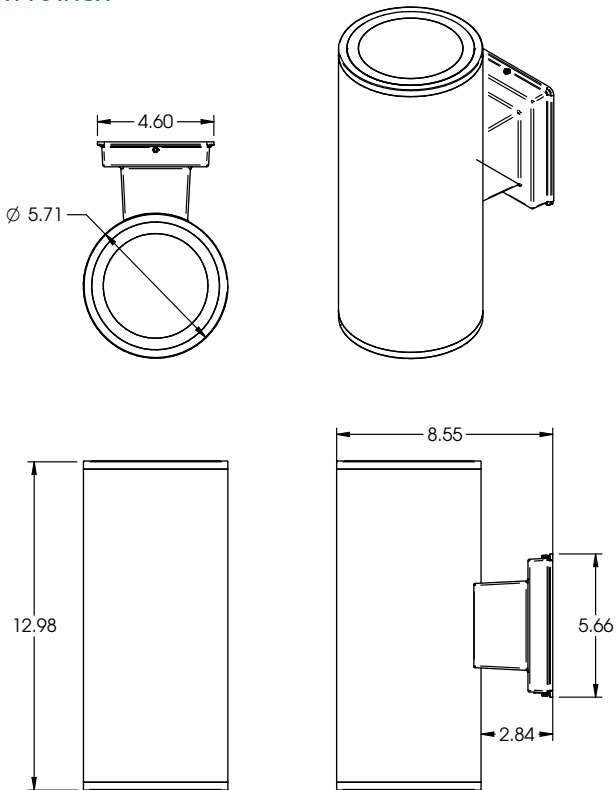
WM 3 INCH



WM 4 INCH

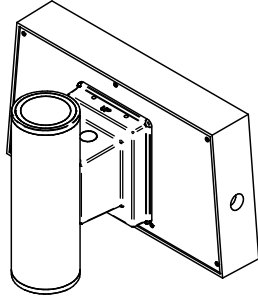
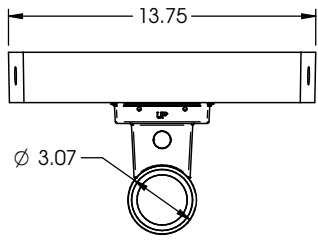


WM 6 INCH

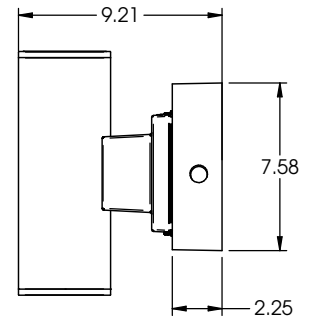
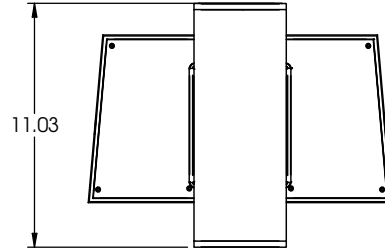
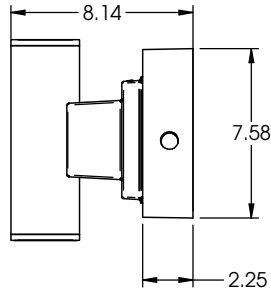
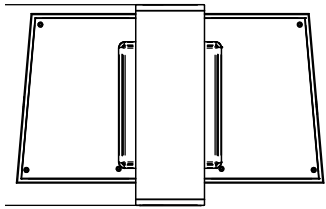
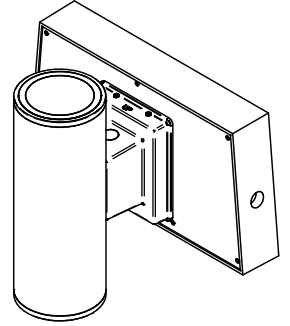
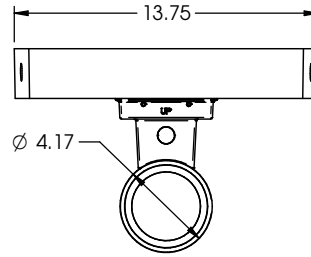


LINE DRAWINGS

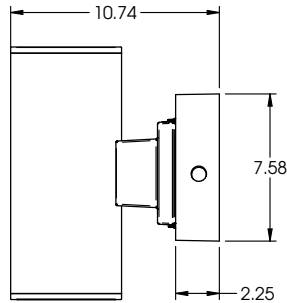
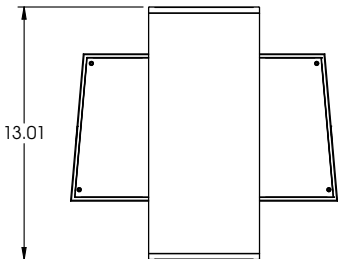
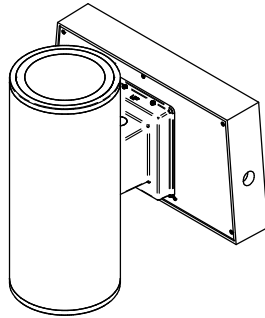
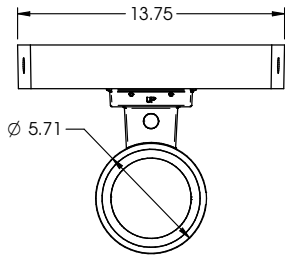
WM 3 INCH with EM Box



WM 4 INCH with EM Box



WM 6 INCH with EM Box

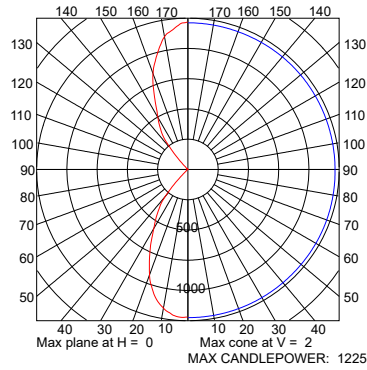


PHOTOMETRIC DATA

LUMINAIRE DATA

Part Number	UC4UD-22L-U-40-W-W-WM
Description	Unify Cylinder 4" Up/Down, 2200lm, 4000K, Wide Flood 60° Distribution
Fixture Lumens (lm)	2,075 lm
Wattage (W)	19.3 W
Efficacy (lm/W)	107 lm/W
Mounting	Wall Mounted

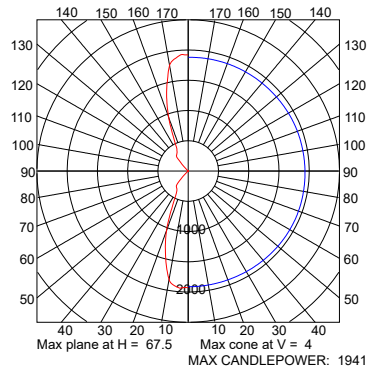
CANDELA PLOT



LUMINAIRE DATA

Part Number	UC4UD-22L-U-40-M-M-WM
Description	Unify Cylinder 4" Up/Down, 2200lm, 4000K, Medium 40° Distribution
Fixture Lumens (lm)	2,088 lm
Wattage (W)	19.3 W
Efficacy (lm/W)	108 lm/W
Mounting	Wall Mounted

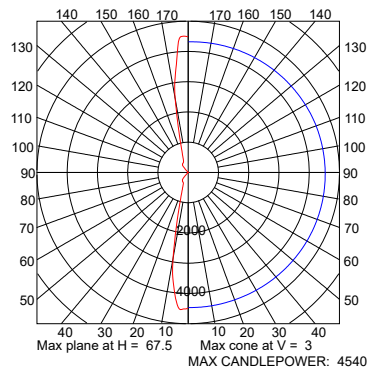
CANDELA PLOT



LUMINAIRE DATA

Part Number	UC4UD-22L-U-40-N-N-WM
Description	Unify Cylinder 4" Up/Down, 2200lm, 4000K, Narrow 25° Distribution
Fixture Lumens (lm)	2,119 lm
Wattage (W)	19.3 W
Efficacy (lm/W)	110 lm/W
Mounting	Wall Mounted

CANDELA PLOT



LUMINAIRE DATA

Part Number	UC4UD-22L-U-40-S-S-WM
Description	Unify Cylinder 4" Up/Down, 2200lm, 4000K, Spot 15° Distribution
Fixture Lumens (lm)	2,158 lm
Wattage (W)	19.3 W
Efficacy (lm/W)	112 lm/W
Mounting	Wall Mounted

CANDELA PLOT

