

Project Name:

Part Number:

Type:



# viewpoint FLOOD SERIES

## COMPACT, SMALL, MEDIUM



407-478-3759  
www.ilp-inc.com

### FEATURES

- Low profile die-cast aluminum housings available in 5 sizes
- Bronze polyester powder coat finish (std.)
- Custom and factory select colors available<sup>1</sup>
- Fully adjustable NEMA 7x6 distribution or Optional NEMA 5x5
- Adjustable Knuckle, Trunion, Slip fitter, Pole, and Tenon Adapter mounting options<sup>2</sup>
- 3000K, 4000K & 5000K CCT Selectable via Integral window selector
- 4-Level Field Adjustable Output (FAO) allows individual luminaire lumen output control
- Embedded Electronic photocell with override switch (std.)
- 120-277V Universal Voltage or 277V-480V High Voltage<sup>3</sup>
- 0-10V Dimmable Driver (std.)
- 6kV Surge protection (std.); 2.5kV on VFC model
- 5 wire 3' 600V power cord provided standard
- Calculated L70 >100,000 hrs @ 25°C per TM-21-11
- IP66 Rated Luminaire
- 5 Year Warranty
- ETL Listed for Wet Locations, suitable for ground mounting
- DesignLights Consortium® Premium Qualified Luminaire

<sup>1</sup>Contact factory for pricing and availability<sup>2</sup>Mounting options vary by size.<sup>3</sup>347-480V available only in 14L-140L Lumen Package

### SUITABLE APPLICATIONS

- Landscape • Flag Pole • Wall Wash • Signage • Spot and Flood Light • Elevation Illumination

synapse



### ORDERING GUIDE

SERIES	LUMENS	VOLTAGE	CCT	DISTRIBUTION	MOUNTING	CONTROLS	FINISH <sup>2</sup>	WARRANTY
VFC Compact	2L 2,000 lm	U 120-277v	CCTS CCT Selectable 3K, 4K, 5K	W 7x6 Wide M 5x5 Medium	KNK 1/2" Knuckle Mount (Std)  *See Accessories for alternate mounting		BRZ BLK WHT SLV NAT	(Blank) 5YR 10YR 10YR
VFS Small	5L 5,000 lm	U 120-277v	CCTS CCT Selectable 3K, 4K, 5K		KNK 1/2" Knuckle Mount (Std)  *See Accessories for alternate mounting			
	7L 7,000 lm							
VFM Medium	10L 10,000 lm	U 120-277v	CCTS		TRN Trunion Mount (Std)  *See Accessories for alternate mounting			CR3 <sup>5</sup> 3-Pin NEMA Receptacle
	14L 14,000 lm	U 120-277v	CCTS					CR7 <sup>5</sup> 7-Pin NEMA Receptacle
	14L 14,000 lm	HV <sup>1</sup> 277-480v	4000K 5000K					

This option utilizes the larger VFL housing do to the size of the HV Driver. Cannot be ordered as CCTS. For more information, refer to Page 5.

#### OPTIONS - FACTORY INSTALLED

C6/5W <sup>3</sup>	6ft 5-Conductor cord without a plug
C10/5W <sup>3</sup>	10ft 5-Conductor cord without a plug
SP1 <sup>3,4</sup>	10kA 120-277V Univolt Surge Protector
SP2 <sup>3,4</sup>	20kA 120-277V Univolt Surge Protector
SP1HV <sup>5</sup>	10kA Max 480V Surge Protector
FUSE/SXXX <sup>5</sup>	Fuse - Single-line Voltage (120, 277 or 347) - Contact Factory
FUSE/DXXX <sup>5</sup>	Fuse - Dual-line Voltage (208V, 240V or 480V) - Contact Factory

#### ACCESSORIES

xxx/Visor <sup>6,8</sup>	Reversible Visor/Glare Shield
JP275	Shorting Cap for CRx NEMA Receptacle
TLPC/UNV	Photocell for use w/ CRx option (120-277V)
TLPC/HV	Photocell for use w/ CRx option (347-480)
VF/TR <sup>9</sup>	2-3/8" vertical tenon adapter
TL7/B2 <sup>3,5,10</sup>	Synapse 7-Pin Mesh Network; 120-277V
TL7/HVG <sup>5,10</sup>	Synapse 7-Pin Mesh Network; 480V
VF/KNK/xxx <sup>7</sup>	1/2" Adjustable Knuckle; Std on VFC & VFS; (xxx = Finish)
VF/TRN/xxx	Trunion Mounting Bracket; Std on VFM; (xxx = Finish)
VF/PMB/xxx <sup>5</sup>	Pole Mount Bracket with Round Pole Adapter; (xxx = Finish)
VF/SLPF/xxx <sup>5</sup>	2-3/8" Adjustable Slip Fitter; (xxx = Finish)
VF/WMB/xxx <sup>5</sup>	Adjustable Wall Mount Bracket; (xxx = Finish)
VF/SMB/xxx <sup>5</sup>	Surface Wall Mount Box with junction; (xxx = Finish)

<sup>1</sup>Available in 14L Lumen Package only <sup>2</sup>Bronze finish standard, Consult factory for pricing & availability ofother finishes; subject to longer lead-times <sup>3</sup>Not Available with HV Option <sup>4</sup>VFS & VFM Only<sup>5</sup>VFM Only <sup>6</sup>xxx = Corresponding series VFC, VFS, VFM <sup>7</sup>Not available with VFM-14L-HV<sup>8</sup>For VFM-14L-HV use VFL/Visor <sup>9</sup>Only available for VFC and VFS with KNK mounting<sup>10</sup>CR7 Required, Consult Factory for Site layout



# viewpoint FLOOD SERIES

## COMPACT, SMALL, MEDIUM



### QUICK SHIP ITEMS:

SERIES	MOUNTING
VFC-2L-U-CCTS-W-KNK-BRZ	VF/KNK <sup>7</sup> 1/2" Adjustable Knuckle; Std on VFC & VFS
VFS-5L-U-CCTS-W-KNK-BRZ	VF/TRN Trunnion Mounting Bracket; Std on VFM
VFS-7L-U-CCTS-W-KNK-BRZ	VF/PMB <sup>5</sup> Pole Mount Bracket with Round Pole Adapter
VFM-10L-U-CCTS-W-TRN-BRZ	VF/SLPF <sup>5</sup> 2-3/8" Adjustable Slip Fitter
VFM-14L-U-CCTS-W-TRN-BRZ	VF/WMB Adjustable Wall Mount Bracket

<sup>1</sup>Available in 14L Lumen Package only <sup>2</sup>Bronze finish standard, Consult factory for pricing & availability of other finishes; subject to longer lead-times <sup>3</sup>Not Available with HV Option <sup>4</sup>VFS & VFM Only  
<sup>5</sup>VFM Only <sup>6</sup>xxx = Corresponding series VFC, VFS, VFM <sup>7</sup>Not available with VFM-14L-HV <sup>8</sup>For VFM-14L-HV use VFL/Visor <sup>9</sup>Only available for VFC and VFS with KNK mounting  
<sup>10</sup>CR7 Required, Consult Factory for Site layout

LED SYSTEMS INFO <sup>1</sup>		3000K			4000K			5000K			DLC Listing	Replaces			
Part Numbers	Optic	Lumens	Efficacy	BUG Rating	Lumens	Efficacy	BUG Rating	Lumens	Efficacy	BUG Rating			Watts <sup>2</sup>		
VFC-2L	Medium (5x5)	Full	1943	121.8	B2-U0-G0	2090	135.5	B2-U0-G0	2012	126.5	B2-U0-G0	15.9	PREMIUM	70W MH	
		Set 1 (90%)	1826	123.1	B2-U0-G0	1965	136.9	B2-U0-G0	1891	127.9	B2-U0-G0	14.8			
		Set 2 (80%)	1632	123.3	B1-U0-G0	1756	137.1	B2-U0-G0	1690	128.1	B1-U0-G0	13.2			
		Set 3 (70%)	1418	123.5	B1-U0-G0	1526	137.4	B1-U0-G0	1469	128.3	B1-U0-G0	11.4			
	Wide (7x6)	Full	2027	127.5	B1-U0-G0	2189	142.1	B1-U0-G0	2154	134.6	B1-U0-G0	16.0			
		Set 1 (90%)	1905	128.8	B1-U0-G0	2058	143.7	B1-U0-G0	2025	136.1	B1-U0-G0	14.9			
		Set 2 (80%)	1703	129.0	B1-U0-G0	1839	143.9	B1-U0-G0	1809	136.2	B1-U0-G0	13.3			
		Set 3 (70%)	1480	129.3	B1-U0-G0	1598	144.1	B1-U0-G0	1572	136.5	B1-U0-G0	11.5			
VFS-5L	Medium (5x5)	Full	5114	123.6	B3-U0-G1	5442	137.4	B3-U0-G1	5279	128.4	B3-U0-G1	41.1		PREMIUM	100W MH
		Set 1 (90%)	4603	126.4	B3-U0-G1	4898	140.6	B3-U0-G1	4751	131.4	B3-U0-G1	36.2			
		Set 2 (80%)	4091	125.1	B3-U0-G1	4354	139.2	B3-U0-G1	4223	130.1	B3-U0-G1	32.5			
		Set 3 (70%)	3631	129.0	B3-U0-G1	3864	143.5	B3-U0-G1	3748	134.1	B3-U0-G1	27.9			
	Wide (7x6)	Full	5236	124.4	B2-U0-G1	5575	140.1	B3-U0-G1	5489	130.7	B3-U0-G1	42.0			
		Set 1 (90%)	4712	127.2	B2-U0-G1	5018	143.3	B2-U0-G1	4940	133.7	B2-U0-G1	37.0			
		Set 2 (80%)	4189	126.0	B2-U0-G1	4460	141.8	B2-U0-G1	4391	132.3	B2-U0-G1	33.2			
		Set 3 (70%)	3718	129.9	B2-U0-G1	3958	146.2	B2-U0-G1	3897	136.4	B2-U0-G1	28.6			
VFS-7L	Medium (5x5)	Full	6366	121.7	B3-U0-G1	6929	134.3	B3-U0-G1	6704	125.5	B3-U0-G1	53.4	PREMIUM		150W MH
		Set 1 (90%)	5729	123.1	B3-U0-G1	6236	135.8	B3-U0-G1	6034	127.0	B3-U0-G1	47.5			
		Set 2 (80%)	5156	124.8	B3-U0-G1	5612	137.7	B3-U0-G1	5430	128.7	B3-U0-G1	42.2			
		Set 3 (70%)	4584	128.9	B3-U0-G1	4989	142.2	B3-U0-G1	4827	132.9	B3-U0-G1	36.3			
	Wide (7x6)	Full	6589	123.4	B3-U0-G1	7147	138.2	B3-U0-G1	6861	128.0	B3-U0-G1	53.6			
		Set 1 (90%)	5930	124.8	B3-U0-G1	6432	139.8	B3-U0-G1	6175	129.4	B3-U0-G1	47.7			
		Set 2 (80%)	5337	126.5	B2-U0-G1	5789	141.7	B3-U0-G1	5557	131.2	B3-U0-G1	42.3			
		Set 3 (70%)	4744	130.6	B2-U0-G1	5146	146.4	B2-U0-G1	4940	135.5	B2-U0-G1	36.4			
VFM-10L	Medium (5x5)	Full	10058	122.5	B4-U0-G1	10925	138.1	B4-U0-G1	10371	130.1	B4-U0-G1	79.7		PREMIUM	175W MH
		Set 1 (90%)	9455	123.8	B4-U0-G1	10270	139.6	B4-U0-G1	9749	131.5	B4-U0-G1	74.1			
		Set 2 (80%)	8549	127.0	B4-U0-G1	9286	143.2	B4-U0-G1	8815	134.9	B4-U0-G1	65.4			
		Set 3 (70%)	7443	127.7	B3-U0-G1	8085	144.0	B4-U0-G1	7675	135.6	B4-U0-G1	56.6			
	Wide (7x6)	Full	10537	128.2	B3-U0-G2	11464	144.7	B3-U0-G2	11153	135.0	B3-U0-G2	82.6			
		Set 1 (90%)	9905	129.6	B3-U0-G2	10776	146.3	B3-U0-G2	10484	136.5	B3-U0-G2	76.8			
		Set 2 (80%)	8956	132.9	B3-U0-G1	9744	150.0	B3-U0-G2	9480	140.0	B3-U0-G1	67.7			
		Set 3 (70%)	7797	133.6	B3-U0-G1	8483	150.9	B3-U0-G1	8253	140.7	B3-U0-G1	58.6			
VFM-14L	Medium (5x5)	Full	12757	123.9	B4-U0-G1	13239	133.7	B4-U0-G1	13172	124.0	B4-U0-G1	106.2	PREMIUM		250W MH
		Set 1 (90%)	11864	125.2	B4-U0-G1	12312	135.2	B4-U0-G1	12250	125.4	B4-U0-G1	97.7			
		Set 2 (80%)	10716	126.9	B4-U0-G1	11121	137.0	B4-U0-G1	11064	127.0	B4-U0-G1	87.1			
		Set 3 (70%)	9440	129.1	B4-U0-G1	9797	139.4	B4-U0-G1	9747	129.3	B4-U0-G1	75.4			
	Wide (7x6)	Full	13189	124.2	B3-U0-G2	14298	139.0	B3-U0-G2	13847	129.8	B3-U0-G2	106.7			
		Set 1 (90%)	12266	125.5	B3-U0-G2	13297	140.5	B3-U0-G2	12878	131.2	B3-U0-G2	98.2			
		Set 2 (80%)	11079	127.2	B3-U0-G2	12010	142.3	B3-U0-G2	11631	132.9	B3-U0-G2	87.5			
		Set 3 (70%)	9760	129.4	B3-U0-G1	10581	144.8	B3-U0-G2	10247	135.3	B3-U0-G1	75.8			

<sup>1</sup>Values are nominal, see IES file for more detail <sup>2</sup>Electrical data at 25C (77F). Actual wattage may differ by +/-10%.



# viewpoint FLOOD SERIES

## COMPACT, SMALL, MEDIUM

### EPA RATINGS AND VIBRATION CHART

	LUMEN PACKAGE	KNK		TRN		PMB		SLPF		WMB		WEIGHT
VFC	2L - 2,000 lm	0.28	3G	0.26	3G							2.4 lbs
VFS	5L - 5,000 lm / 7L - 7,000 lm	0.39	3G	0.37	3G							3.5 lbs
VFM	10L - 10,000 lm / 14L - 14,000 lm	0.57	1.5G	0.55	3G	0.65	3G	0.64	3G	N/A	1.5G	6.2 lbs

\* EPA Ratings listed assume fixture is mounted horizontally. For adjustable mounting options, EPA will vary with selected angle.

### SPECIFICATIONS

#### CONSTRUCTION

The VF Flood Series features a slim profile die-cast aluminum housing available in 5 different sizes for a fully scalable solution. The low-profile die-cast aluminum housings are provided with a durable bronze polyester powder coat finish tailored to withstand extreme weather changes without cracking or peeling (Optional ILP White (WHT), Black (BLK), or Silver (SLV) wet paint finishes available; Consult factory for alternate finishes). The driver cover seals to the housing with a one-piece silicone gaskets creating an IP66 rating for maximum ingress protection. Salt Spray tested for 500 hrs.

#### OPTICS

The IP66 silicone gasket sealed optical chamber utilizes UV stabilized polycarbonate refractive optics to provide exceptional coverage in NEMA Types 7Hx6V (std.) or optional 5Hx5V. CCT selectable via an integral CCT selector dipswitch (3000K, 4000K, & 5000K per ANSI C78.377 standard & ≤5 SDCM). Consult factory for availability of alternate CCTs. Minimum CRI of 70. Optional visor accessory is available for additional cut-off.

#### ELECTRICAL

High-performance driver features over-voltage, under-voltage, short circuit and over temperature protection. 0-10V dimming (10% - 100%) standard. Standard Universal Voltage (120-277 Vac) Input 50/60 Hz or optional High Voltage (277-480 Vac). L70 >100,000 hrs. in accordance of IESNA TM-21-11 Projected values at 25°C Ambient temperature. Total harmonic distortion: 0.90. Input power stays constant over life. Minimum 6kV surge rating (VFC-2L 2.5kV) meets a minimum Category C Low operation (per ANSI/IEEE C62.41.2). Additional protection is available in 10kV and 20kV options. Integral Field Adjustable Output (FAO) device allows for easy tuning of luminaire light levels for individual site conditions (70%, 80%, 90%, 100%).

#### THERMAL

The VF Flood Series features an array of High-efficacy midpower LED's on a metal core board. The LED board is mounted directly to a cast aluminum housing with heat dissipating fins to provide excellent thermal performance extending the life of electronic components. Operating Ambient Temperature: -40°C to +50°C (-40°F to 122°F).

#### INSTALLATION

The versatile VF Flood Series comes with 4 optional housing dependent mounting methods. A fully adjustable ½" male NPS knuckle (KNK), Adjustable Slip fitter (SLPF) to mount to any vertical or horizontal tenon 2" pipe (2-3/8" OD), a heavy gauge cold rolled steel trunnion bracket (TRN), adjustable wall mount bracket (WMB), or adjustable pole mounting bracket (PMB), see table on page 2 for mounting compatibility and vibration ratings. Vertical tenon adapter accessory allows knuckle models to mount to an 2-3/8" vertical tenon. All mounting methods are provided with a 5-wire 3' outdoor rated cord for wiring.

#### CONTROLS

Integral embedded IP66 rated electronic photocell provides dusk/dawn control with an optional override switch to by-pass the photocell when required comes standard. Factory installed 3-Pin & 7-Pin ANSI C136.41 Control Receptacle Options available on VFM only. Twist lock photocells sold separately (See accessories).

#### WARRANTY

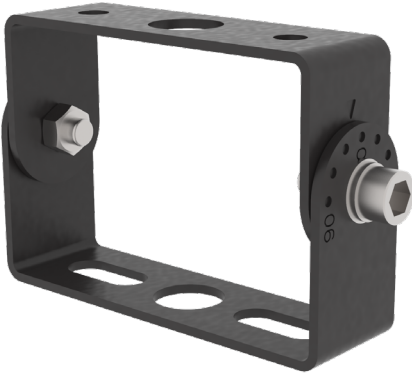
5 Year Warranty Standard; 10 Year Warranty Optional (Terms and Conditions apply). See Website for more details. <https://www.ilp-inc.com/documents/>

#### CERTIFICATIONS

ETL Listed for wet locations, suitable for ground mounting. Tested in accordance with IESNA LM-79 and LM-80 standards. IP66 rated Luminaire per IEC 60598. DesignLights Consortium® (DLC) Premium qualified product. Not all versions of this product may be DLC Premium qualified. Please check the DLC Qualified Products List at [www.designlights.org/QPL](http://www.designlights.org/QPL) to confirm which versions are qualified.

## MOUNTING OPTIONS

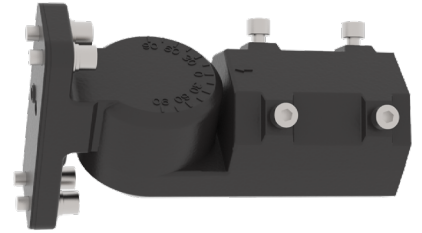
TRN - Trunnion/Yoke Mount (All Models)



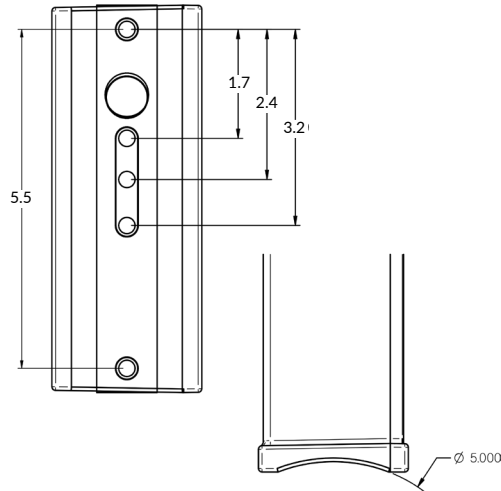
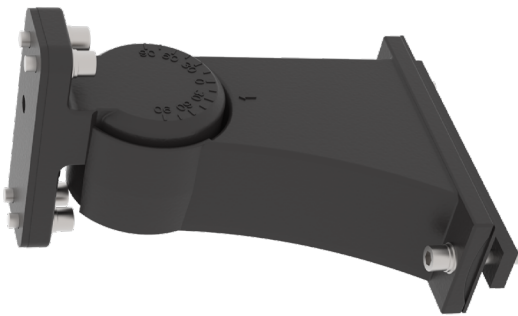
KNK 1/2" Knuckle (All Models)



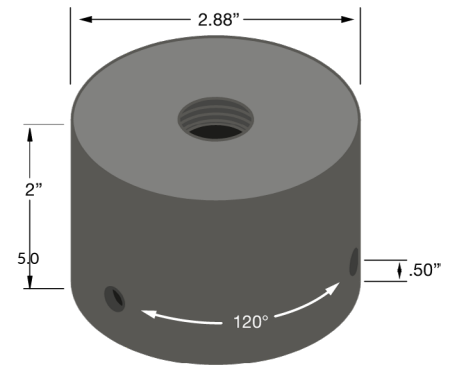
SLPF - 2-3/8" Slip Fitter (VFM Only)



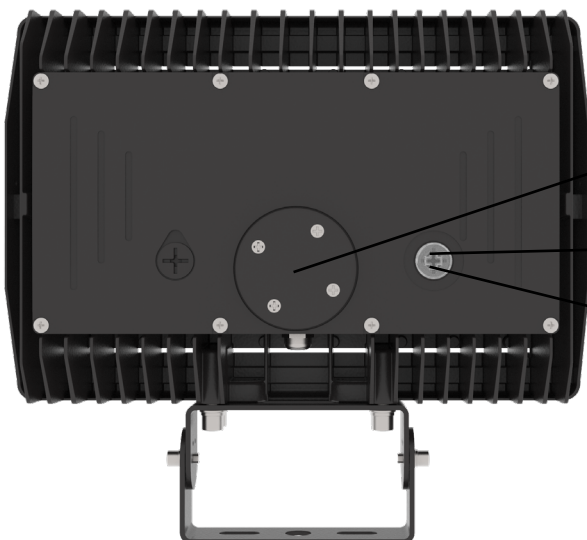
PMB - Pole Mount Bracket (VFM only)



TR - Knuckle with 2-3/8" vertical tenon adapter



## ADDITIONAL FEATURES

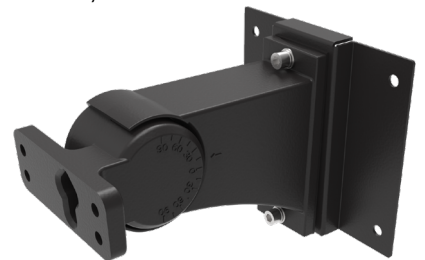


Optional Twist Lock NEMA 3-PIN Photocontrol Receptacle (VFM only)

CCT, Lumen, & Photocell Quick Access Switches

Integrated Photocell

WMB - Adjustable Wall Mount Bracket \*VFM Only

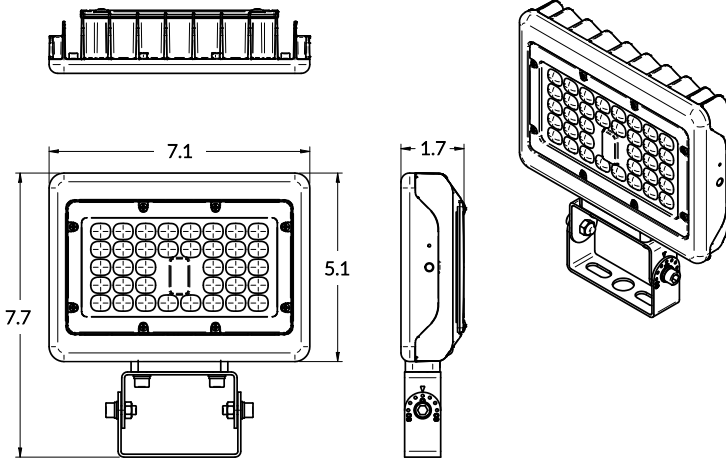


SMB - Surface Wall Mount Junction Box \*VFM Only

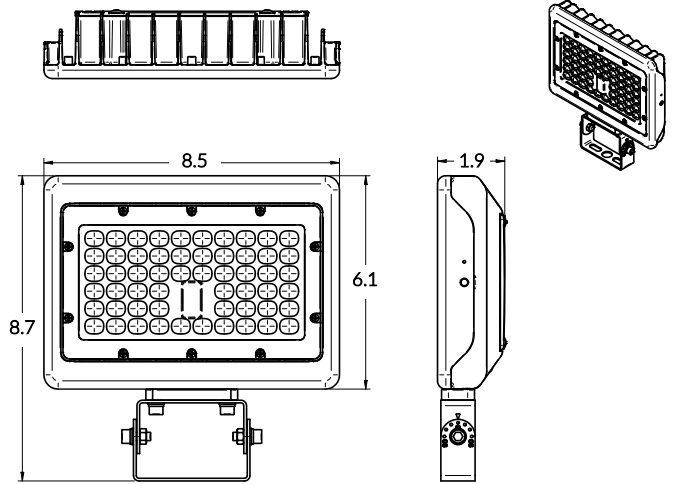


**LINE DRAWINGS**

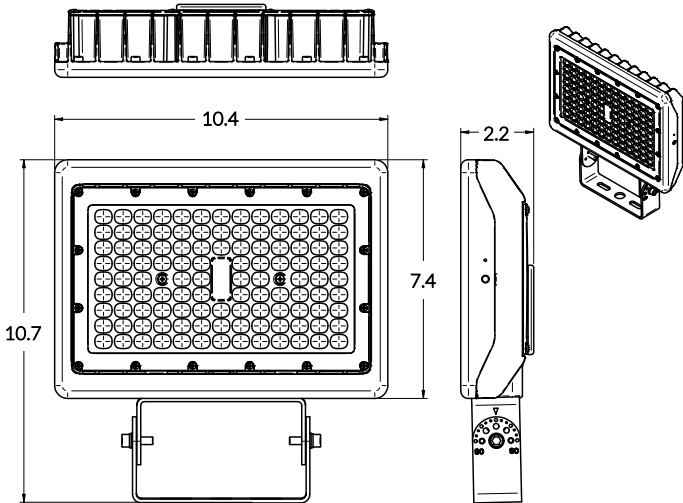
**VFC 2L Dimensions**



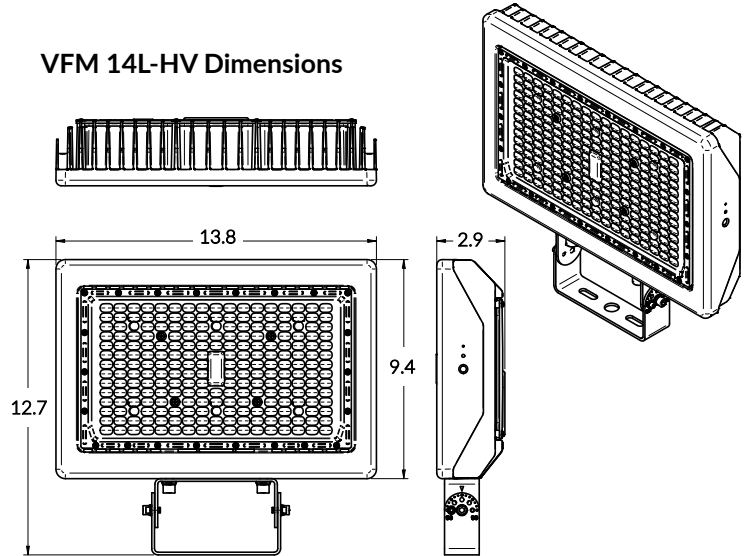
**VFS 5L/7L Dimensions**



**VFM 10L/14L Dimensions**



**VFM 14L-HV Dimensions**



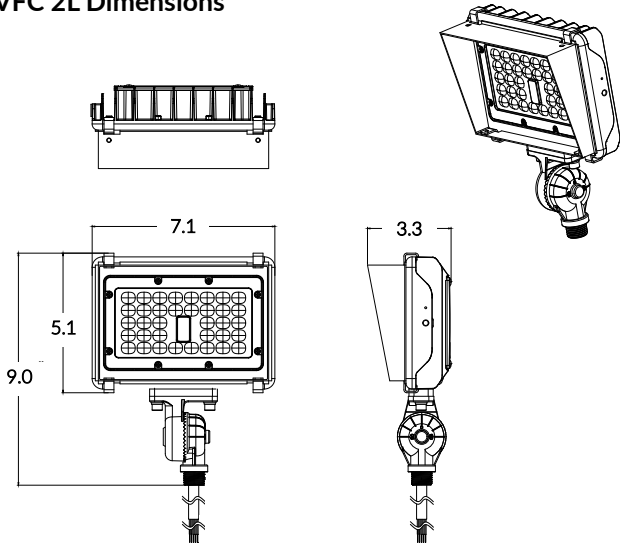


# viewpoint FLOOD SERIES

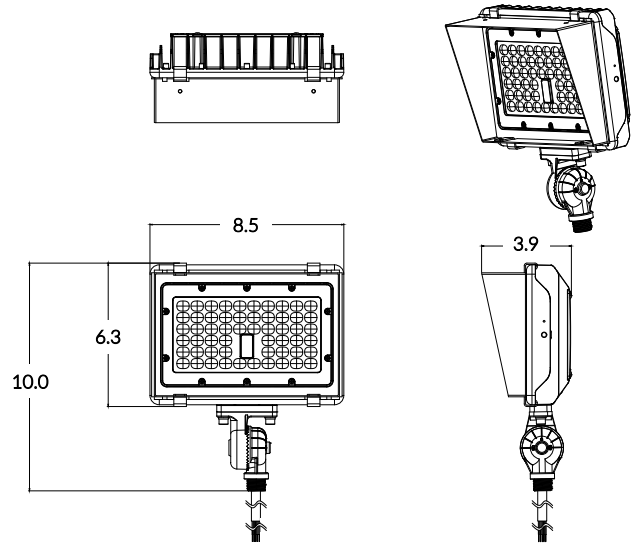
COMPACT, SMALL, MEDIUM

## LINE DRAWINGS

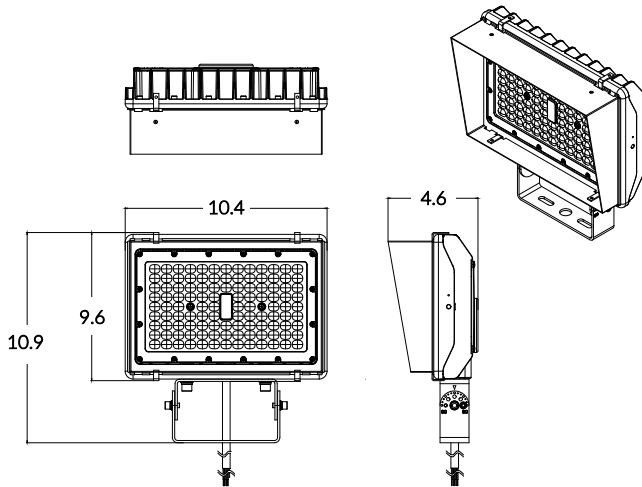
### VFC 2L Dimensions



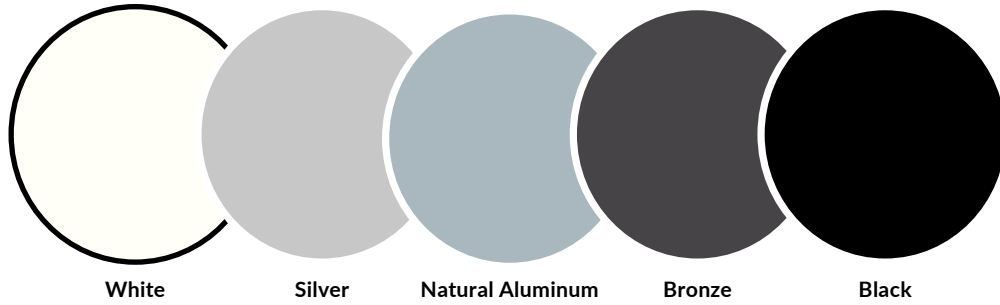
### VFS 5L/7L Dimensions



### VFM 2L Dimensions



**FACTORY SELECT FINISH GUIDE**



COLOR NAME AND DESCRIPTION		SHEEN	PRICING
WHT	- ILP White	SEMI GLOSS	Contact Factory for Pricing
SLV	- ILP Silver - Ultrasonic Chrome	GLOSS	Contact Factory for Pricing
NAT	- ILP Natural Aluminum	GLOSS	Standard
BRZ	- ILP Bronze	SEMI GLOSS	Standard
BLK	- ILP Black	SEMI GLOSS	Contact Factory for Pricing

**COLORS SHOWN ABOVE ARE TO BE USED AS REFERENCE, NOT EXACT MATCH. PLEASE REQUEST PAINT CHIPS FOR EXACT MATCH.**