

Project Name:

Part Number:

Type:



VOL-VOLUMETRIC TROFFER

RECESSED TROFFER



407-478-3759
www.ilp-inc.com

FEATURES

- Architectural design
- Steel housing
- White powder coat finish
- Integrated hurricane clips
- Frosted acrylic lens
- 2x2 sizes available
- 0-10V Dimmable Driver (100% - 10%)
- TypeIC (suitable for insulation contact)
- 3500K & 4000K CCT
- 120-277V Universal Voltage
- 5 Year Warranty
- UL Listed
- DesignLights Consortium® Premium Qualified Luminaire



SUITABLE APPLICATIONS

• Education • Healthcare • Offices • Hallways • Multipurpose Rooms • Conference Rooms

ORDERING GUIDE:

SERIES	WATTS	DRIVER	CCT
VOL22 Volumetric Troffer 2'x2'	24WLED 30WLED	UNIV 120-277V	35 40

OPTIONS

Factory Installed		Ship With Accessories	
EM5	5W LED Factory Installed Battery Backup	FLGK	Flange Kit
EM5/HE	5W LED Factory Installed Battery Backup - CEC Title 20 Compliant		
EM7	7W LED Factory Installed Battery Backup		
EM7/HE	7W LED Factory Installed Battery Backup - CEC Title 20 Compliant		
EM10	10W LED Factory Installed Battery Backup		
EM10/HE	10W LED Factory Installed Battery Backup - CEC Title 20 Compliant		
EM12	12W LED Factory Installed Battery Backup		
SD347	347V Step Down Transformer		
MC6/3W¹	6ft MC Cable Whip w/ 3 leads		
MC6/4W¹	6ft 4 wire MC Cable w/ 3 leads attached to power & 1 lead for battery backup		
MC6/5W	6ft 5 wire MC Cable w/ 3 leads attached to power & 2 leads attached to dimming		
MC6/6W	6ft 6 wire MC Cable w/ 3 leads attached to power, 2 leads attached to dimming, & 1 lead battery backup		

¹ Non-dimming function



QUICK SHIP ITEMS:

SERIES	WATTS	DRIVER	CCT
VOL22 Volumetric Troffer 2'x2'	24WLED 30WLED	UNIV 120-277V	40 35

VOL - VOLUMETRIC TROFFER

RECESSED TROFFER

SPECIFICATIONS

CONSTRUCTION

Steel housing white finish body for rigidity, durability and ease of installation. Designed to achieve maximum performance and improved aesthetics.

ELECTRICAL

Class 2 LED light engine for high efficacy and long life. Calculated L70 > 100,000 hrs. Power Factor > 0.90. Standard 120-277 Vac 0-10V dimmable (10% - 100%).

INSTALLATION

VOL fits into standard 15/16" T-grid system. Optional Flange Kit (FLGK) for recessed drywall mounting. Access plate installed atop of fixture for easy of hardwire power connections. Optional factory installed power flex conduit whip (WHIP) available to reduce electrical installation time.

OPTICS

Standard high transmission extruded PMMA frosted acrylic volumetric lens. Field removeable lens for easy access to LED boards, drivers and maintenance.

CERTIFICATIONS

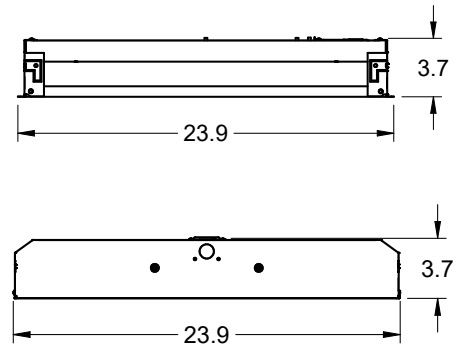
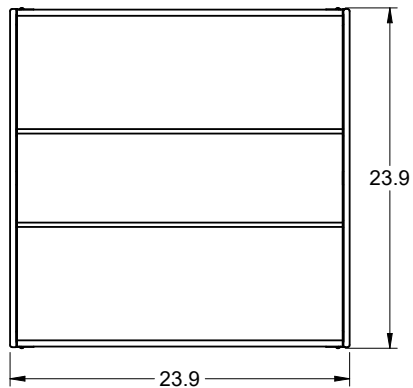
ETL Listed to US & Canadian safety standards. Suitable for insulation contact with Type IC Rated. Suitable for Damp Locations. DLC Premium Listed Product, not all versions of this product may be DLC Premium Qualified. Please check the DLC Qualified Products List at www.designlights.org/qpl to confirm which versions are qualified.

WARRANTY

5 Year Warranty (Terms and Conditions apply)

LINE DRAWINGS

2x2:



VOL - VOLUMETRIC TROFFER

RECESSED TROFFER

PHOTOMETRIC REPORTS

