

Project Name:

Part Number:

Type:



OPEN FACE WALL PACK

OUTDOOR



407-478-3759
www.ilp-inc.com

FEATURES

- Rugged die-cast aluminum housing
 - Bronze polyester powder coat finish (std.)
 - Custom and factory select colors available¹
 - Non-Cutoff Type IV distribution
 - Option*al Hood for semi-cutoff Type IV distribution
 - Impact resistant frosted low glare prismatic polycarbonate lens with UV stabilizers
 - Silicone lens gasket and rubber housing gasket provide secure watertight seal
 - Built in base bubble level for easy installation
 - ½" coin plugs with o-rings for conduit or optional photocell
 - 120-277V Universal Voltage
 - 0-10V Dimmable Driver (std.)
 - Battery backup & cold weather battery options available
 - PIR Occupancy, Photocell, & Bi-Level Dimming sensors available
 - 5000K CCT
 - >70 Color Rendering Index (CRI)
 - Calculated L70 >75,000 Hours @ 25°C per TM-21-11
 - Operating Temperature: -40°C to 45°C (-40°F to 113°F)
 - IP65 Rated Luminaire
 - 5 Year Warranty (std); 10 Year Warranty Optional
 - ETL Listed for Wet Locations
- ¹Contact factory for pricing and availability



SUITABLE APPLICATIONS

- Schools
- Warehouses
- Shopping Center
- General Area Lighting



ORDERING GUIDE:

SERIES	WATTS	DRIVER	CCT	FINISH	WARRANTY
WPSO Small Open Face Wall Pack	30W	UNIV 120-277V	50	(BLANK) Bronze	BLANK 5 Year
				BLK ³ Black	10YR ² 10 Year
				SLV ³ Silver	
				WHT ³ White	

CONTROLS OPTIONS ¹

Basic – Ship with Accessories

PCU Photocell Universal Voltage (120-277V)

¹ Only 1 selection allotted for controls options

² Contact factory for more details

³ Bronze finish standard, Consult factory for pricing & availability of other finishes; subject to longer lead-times

OPEN FACE WALL PACK

OUTDOOR



QUICK SHIP ITEMS:

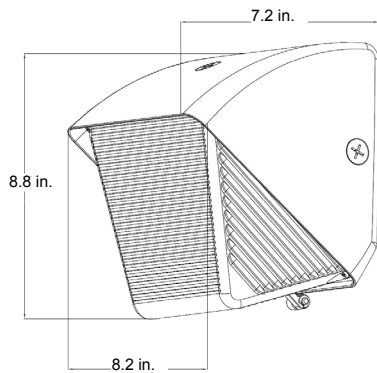
SERIES	WATTS	DRIVER	COLOR	FINISH
WPSO Small Open Face Wall Pack	30W	U 120-277V	50	(BLANK) Bronze

LED SYSTEMS INFORMATION ¹	4000K		5000K		Watts ²	DLC Listing	Replaces
	Part Numbers	Lumens	Efficacy	Lumens			
WPSO-30W	4,097 lm	130 lm/W	4,203 lm	134 lm/W	31 W	Standard	100W MH

¹LED Chips are frequently updated therefore values are nominal
²Electrical data at 25C (77F). Actual wattage may differ by +/-10%.

LINE DRAWINGS

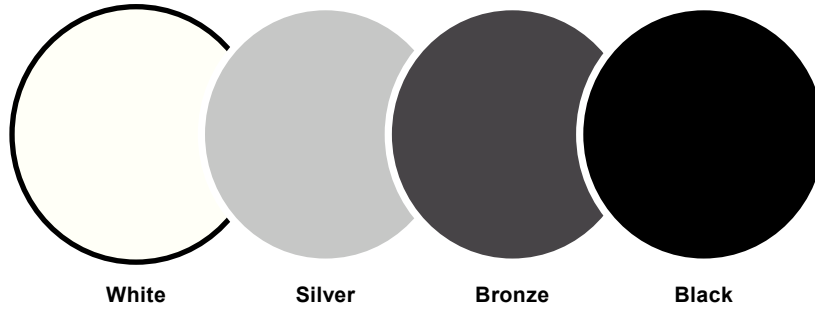
WPSO:



OPEN FACE WALL PACK

OUTDOOR

FACTORY SELECT COLOR GUIDE



COLOR NAME AND DESCRIPTION		SHEEN	PRICING
WHT	- ILP White	SEMI GLOSS	Consult Factory
SLV	- ILP Silver - Ultrasonic Chrome	GLOSS	Consult Factory
BRZ	- ILP Bronze	SEMI GLOSS	Standard
BLK	- ILP Black	SEMI GLOSS	Consult Factory

COLORS SHOWN ABOVE ARE TO BE USED AS REFERENCE, NOT EXACT MATCH. PLEASE REQUEST PAINT CHIPS FOR EXACT MATCH.

PHOTOMETRIC DATA

