

# Zigbee Battery-free Switch

No Batteries! No Wires! Self-powered Wireless Light Switch

ILLUMRA™ ZigBee Switches offer a familiar and convenient interface for controlling compatible light bulbs, receivers or gateways. The switches do not require wires or batteries, they contain a micro-generator powered ZigBee transmitter to send a wireless signal. The signal transmits through walls or around corners.



Single Rocker



Double Rocker

**Available Colors:**



White



Light Almond



Ivory



Gray

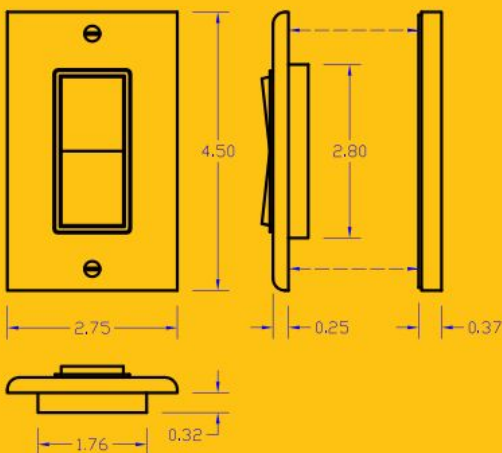


Brown

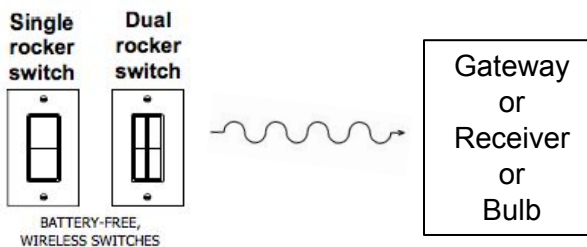


Black

Part Number	ZBT-S1Axx	ZBT-S2Axx
<b>Range</b>	30ft (10m)	
<b>Frequency</b>	ZigBee Channels 11-26 (2.4Ghz)	
<b>Power</b>	Self-generated when switch is pressed	
<b>Buttons</b>	2 Buttons	4 Buttons
<b>Dimensions</b>	2.75 (W) x 4.5 (H) x 0.62 (D) inches 6.98 (W) x 11.43 (H) x 1.57 (D) cm	
<b>Ordering Codes</b>	ZBT-S1AWH (White) ZBT-S1ABR (Brown) ZBT-S1ALA (Light Almond) ZBT-S1ABK (Black) ZBT-S1AIV (Ivory) ZBT-S1AGY (Gray)	ZBT-S2AWH (White) ZBT-S2ABR (Brown) ZBT-S2ALA (Light Almond) ZBT-S2ABK (Black) ZBT-S2AIV (Ivory) ZBT-S2AGY (Gray)



## Network Diagram



115 S State St, Suite B  
Lindon, UT 84042

T: (801) 349-1200  
F: (801) 614-7100  
Sales@ILLUMRA.com