



ENDEAVOUR 2.0 HIGH BAY

INSTALLATION INSTRUCTIONS

CAUTION

PLEASE READ INSTRUCTIONS BEFORE COMMENCING INSTALLATION AND RETAIN FOR FUTURE REFERENCE.
Electrical products can cause death or injury, or damage to property. If any doubt about the installation or use of this product, consult a competent electrician.

WARNING

- To reduce the risk of death, personal injury or property damage from fire, electric shock, falling parts, cuts/abrasions, and other hazards read all warnings and instructions included with and on the fixture box and all fixture labels.
- Before installing, servicing, or performing routine maintenance on this fixture, follow these general precautions.
- Commercial installation, service and maintenance of luminaires should be performed by a qualified licensed electrician.
- To prevent wiring damage or abrasion, do not expose wiring to edges of sheet metal or other sharp objects.
- Do not make or alter any open holes in an enclosure of wiring or electrical components during kit installation

WARNING

- Turn off electrical power at fuse or circuit breaker box before wiring fixture to the power supply.
- Turn off the power when you perform any maintenance.
- Verify that supply voltage is correct by comparing it with the luminaire label information.
- Inspect each fixture for signs of damage before beginning installation; do NOT install any fixture that is damaged.
- Installation location must not hinder ventilation to the fixture unless product specifications indicate otherwise.
- All wiring connections should be capped with UL approved wire connectors.
- Do not use alkaline or ammonia solutions to clean the end panels or lenses.

CAUTION

- Avoid direct eye exposure to the light source while it is on.
- Account for small parts and destroy packing material, as these may be hazardous to children.
- Risk of burn. Disconnect power and allow fixture to cool before handling fixture.

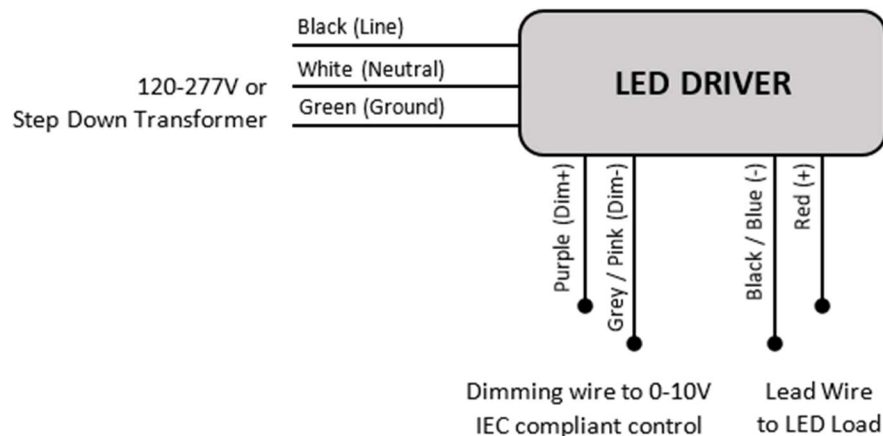
NOTICE: Ground screw provided in proper location. Do not relocate.

NOTICE: Minimum 90° supply conductors.

NOTICE: Specifications and dimensions subject to change without notice.

NOTICE: Suitable for Damp or Dry location.

General Wiring Diagram





ENDEAVOUR 2.0 HIGH BAY

INSTALLATION INSTRUCTIONS

V-Clip Installation

Insert hook-end of v-clips through the mounting holes on each side of the fixture body. 2' Endeavor fixtures have a clip distance of ~21.5" and 4' Endeavor fixtures have a clip distance of ~44.0". (Figure 1)

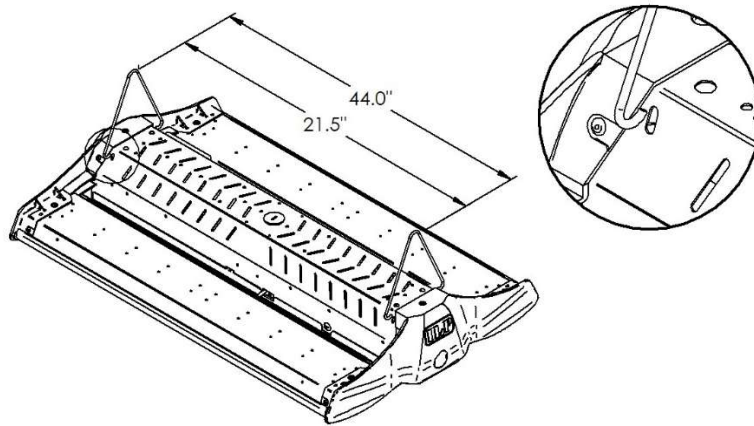


Figure 1

Cable Kit Installation

Insert each cable's toggle plates into the circular holes located at each end of the fixture. Pull on each cable to make sure the toggle plates are securely in place. 2' Endeavor fixtures have a cable distance of ~20.7" and 4' Endeavor fixtures have a cable distance of ~43.2". (Figure 2)

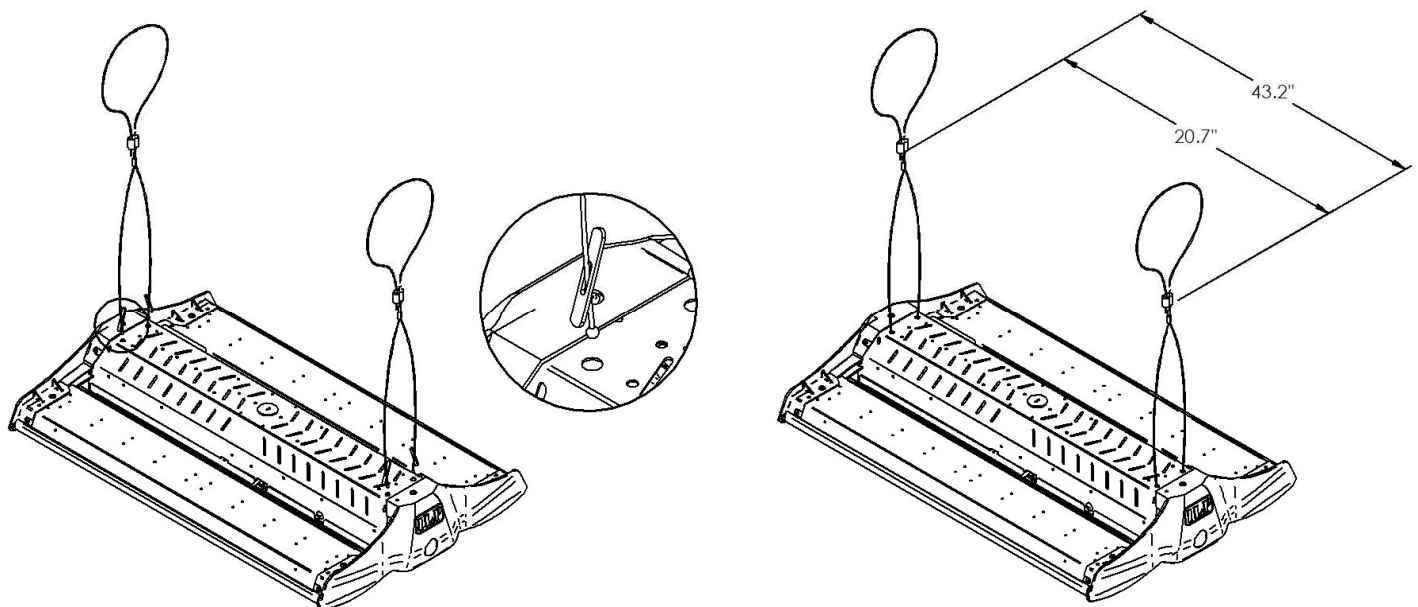


Figure 2



ENDEAVOUR 2.0 HIGH BAY

INSTALLATION INSTRUCTIONS

Surface Mount Bracket Installation

Attach the surface mount brackets to the top of the fixture using the provided screws in the four designated mounting holes. Install the brackets into the ceiling using appropriate hardware (not provided). Surface mount brackets leave 2" of distance between the fixture and mounting surface to allow for proper air ventilation. 2' Endeavor fixtures have a hole distance of ~26.25" and 4' Endeavor fixtures have a hole distance of ~48.75". (Figure 3)

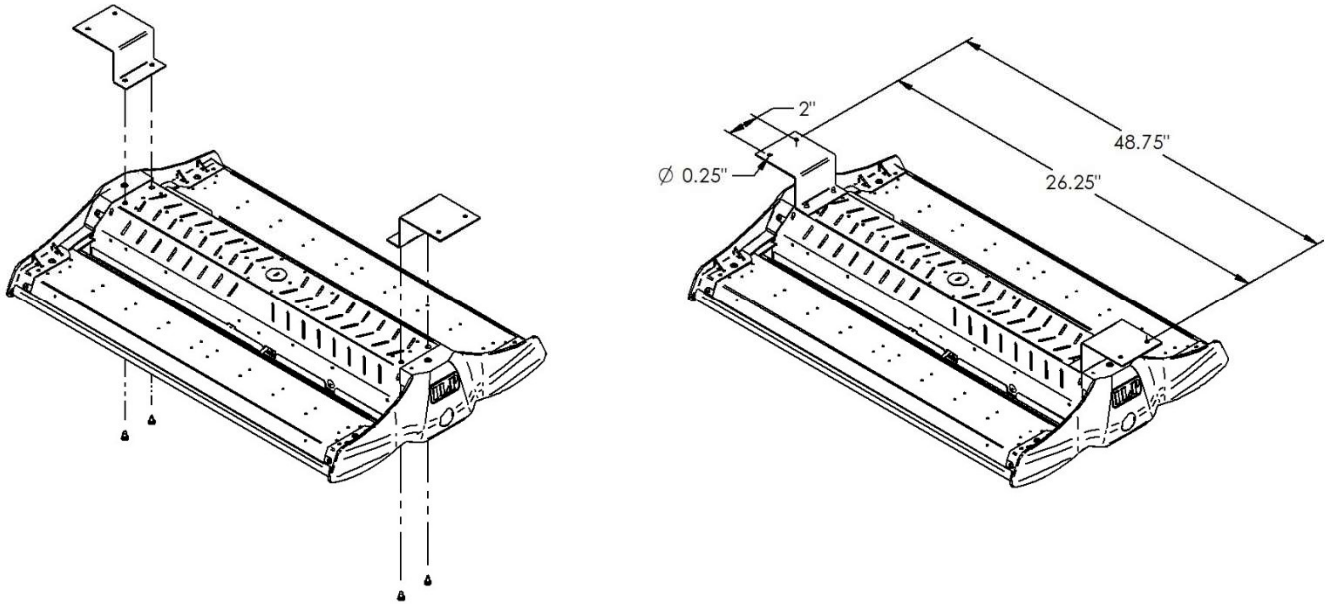


Figure 3

Fixture Mounting Box Installation

Install conduit hub or hook in the top of the fixture mounting box. Slide the box onto the preinstalled mounting plate and secure with the provided screw. Feed wires into the mounting box and complete all necessary wiring connections. Tuck wires into the mounting box and install the side panel with the provided screw. Be careful not to pinch wires. (Figure 4)

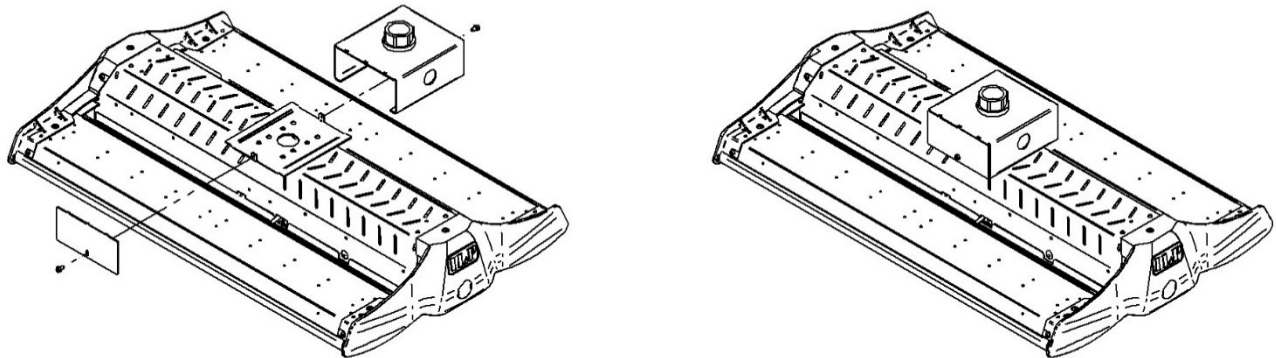


Figure 4



ENDEAVOUR 2.0 HIGH BAY

INSTALLATION INSTRUCTIONS

Wire Cage Installation

Align the wire cage so that it is centered over the fixture. Install the provided mounting clips on the edge of the wire cage at each of the four corners. Use the provided screws to attach the clips to the sides of the fixture, tightening the screws until the clips are flush against the sides of the LED tray and the wire cage is secured. (Figure 5)

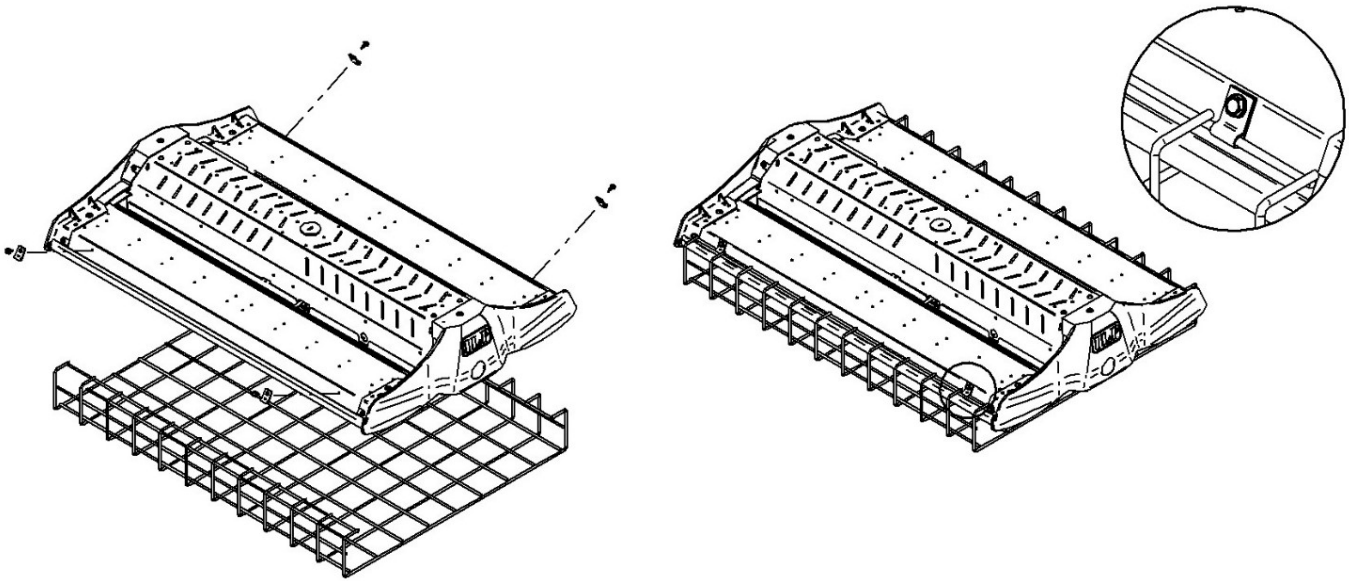


Figure 5

Troubleshooting

If the fixture fails to operate once installation has been completed:

- Ensure there is power to the fixture.
- Ensure the fixture is properly wired and grounded.
- Check to see if there are any loose wires inside the light fixture.
- Ensure the line voltage at the fixture is correct.

If none of these steps resolve the issue, contact your ILP representative for further assistance.

Maintenance

Depending on the application of the fixture, maintenance schedules will vary and should be developed by the customer following periodic observation once fixtures are in operation. At a minimum, the exterior surfaces should be wiped down as part of regular maintenance. If a more thorough cleaning is required or desired, the lenses may be removed and washed according to the following instructions.

Always ensure power is turned off or disconnected before proceeding with maintenance. Once the fixture is powered off, ensure it is given enough time to cool.

Lens Removal and Cleaning

Detach the lens by prying outward on the lens where it is secured to the outside edge of the LED tray. Carefully rotate the lens towards the center of the fixture and remove it. (Figure 6)

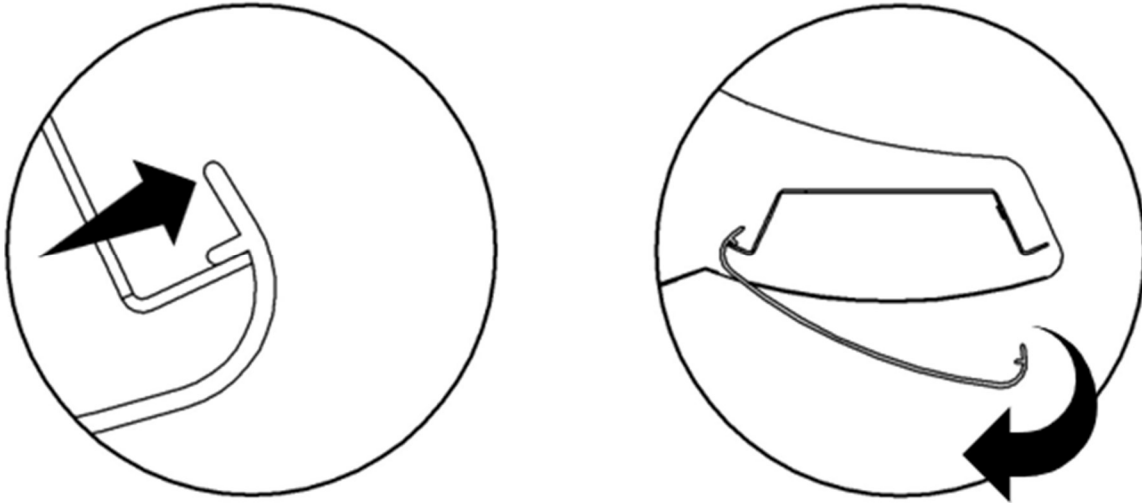


Figure 6

Clean the lens with a solution of warm water and mild soap, using non-abrasive materials. Rinse with clean water and dry. Reinstall the lens according to the following instructions.

Lens Installation

Hook the lens over the inside edge of the LED tray. Ensure that the tab on the inside of the lens sits on top of the LED tray as shown. (Figure 7)

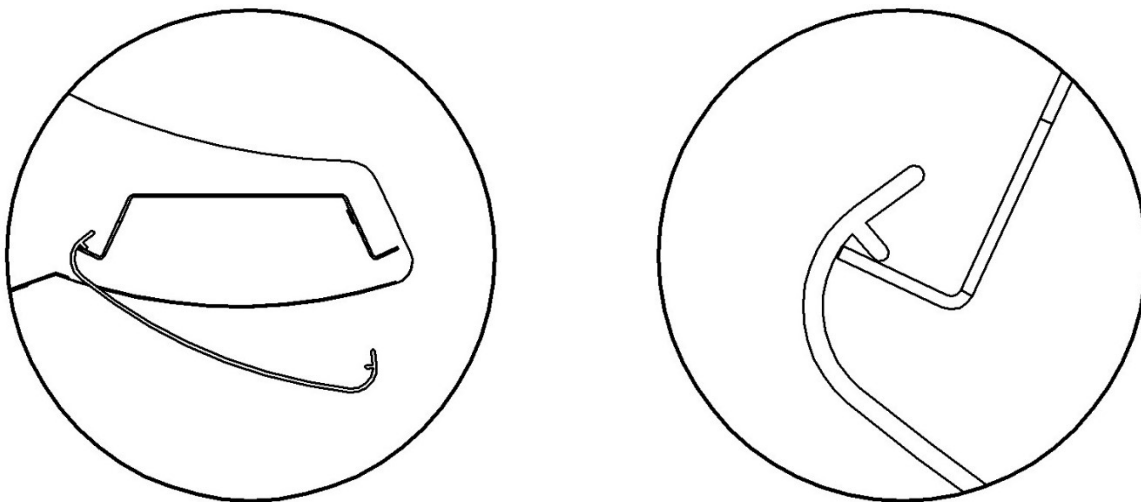


Figure 7

Rotate the lens towards the opposite side of the LED tray. Make sure that the lens is not seated over the raised ledge of either end panel. The lens should be centered between the end panels. (Figure 8)

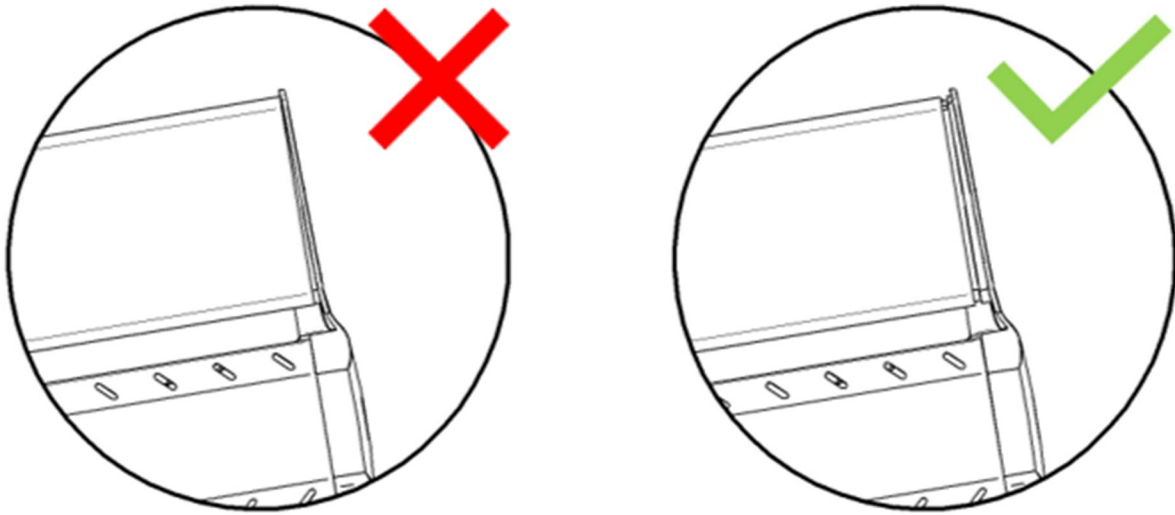


Figure 8

Carefully apply pressure near the center of the lens until it pops over the outside edge of the LED tray. Continue applying pressure along the outer edge of the lens, working your way towards the end panels, until the lens is fully secured over the edge of the LED tray. Ensure that the tab on the inside of the lens sits on top of the LED tray as shown. (Figure 9)

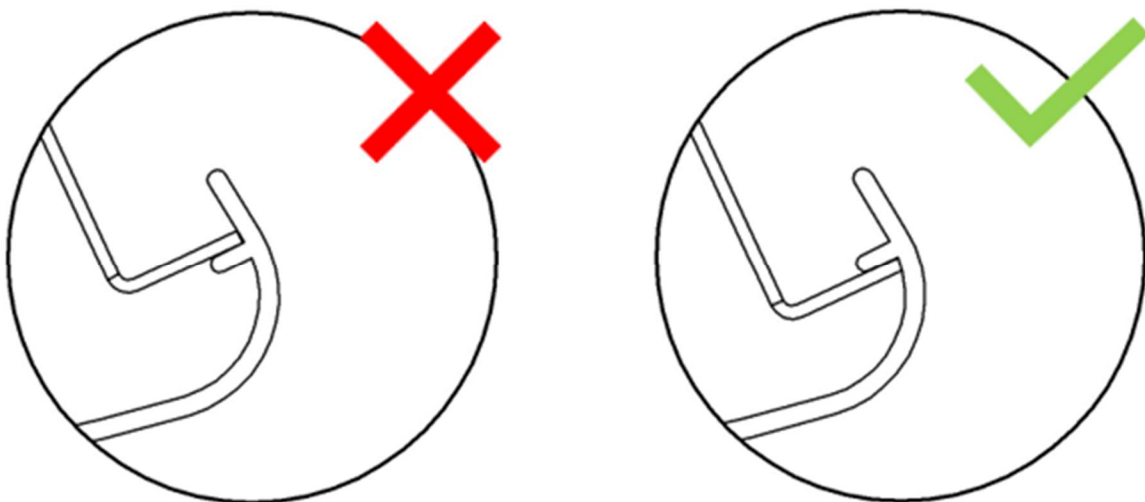


Figure 9