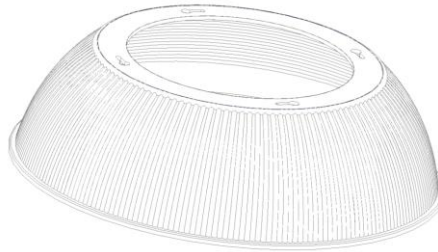




RB4 DIFFUSER INSTALLATION INSTRUCTIONS

MODELS:

RB4-14L-U-CCTS
RB4-21L-U-CCTS
RB4-28L-U-CCTS
RB4-34L-U-CCTS
RB4-14L/21L/28L



AD - Diffuser



DAD - Diffuser

1. Introduction

- Tools Needed: Drill w/Philips Head Bit or Philips Head Screwdriver,

Warning:

To avoid the risk of fire, explosion, or electric shock, this product shall be installed, inspected, and maintained by a qualified electrician, in accordance with all applicable electrical codes.

Warning:

To avoid electric shock:

- Allow product to cool before servicing.
- Be certain electrical power is OFF before and during installation or maintenance.
- Luminaire must be connected to a wiring system with equipment-grounding conductor.

ILP – Industrial Lighting Products, LLC

519 Codisco Way, Sanford, FL 32771
Phone: (407) 478 3759 Fax: (407) 478 3760
www.ilp-inc.com

2. Installation

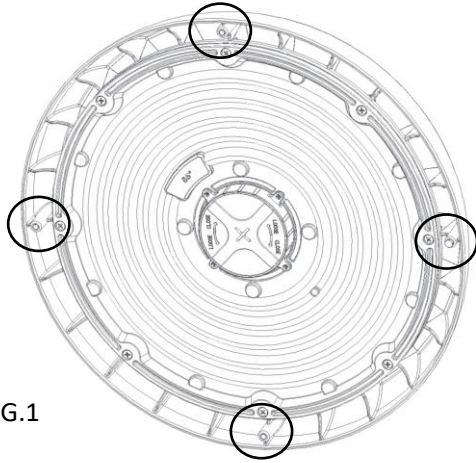


FIG.1

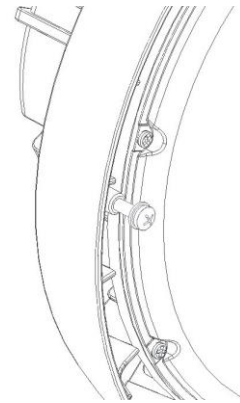


FIG.2

14L Fixtures

- 1) Locate the (4) mounting holes on the face of the RB4. (FIG.1)
- 2) Start the provided pan head screws and washer into the existing mounting holes. (FIG.2)
- 3) Pass the reflector/diffuser over the started hardware through the larger end of the key-slot. (FIG.3)
- 4) Rotate the reflector/diffuser clockwise until the started hardware is fully at the smaller end of the reflector/diffuser key-slot. Tighten the screws evenly against the RB4. (FIG.4)

21L Fixtures

- 1) Locate the (4) mounting holes on the face of the RB4. (FIG.1)
- 2) Locate the provided bracket and attach it to the (4) mounting holes using the flat head screws. (FIG.5)
- 3) Pass the reflector/diffuser over the started hardware through the larger end of the key-slot. (FIG.3)
- 4) Rotate the reflector/diffuser clockwise until the started hardware is fully at the smaller end of the reflector/diffuser key-slot. Use the provided nut to secure the diffuser to the bracket. (FIG.4)

28L, 34L, and 14L/21L/28L Fixtures

- 1) Locate the (4) mounting holes on the face of the RB4. (FIG.1)
- 2) Locate the provided brackets and attach them to the (4) mounting holes using the pan head screws in hole (A). Ensure that the hole (B) is lined up with the screw in the lens below and that the nut in hole (C) is on the bottom. Align the edge (D) with the fin directly below it. (FIG.6/FIG.7)
- 3) Align the diffuser over the hole (C) in the (4) brackets. Using the flat head screw, attach the diffuser to the bracket. Loosen and adjust

FIG.3

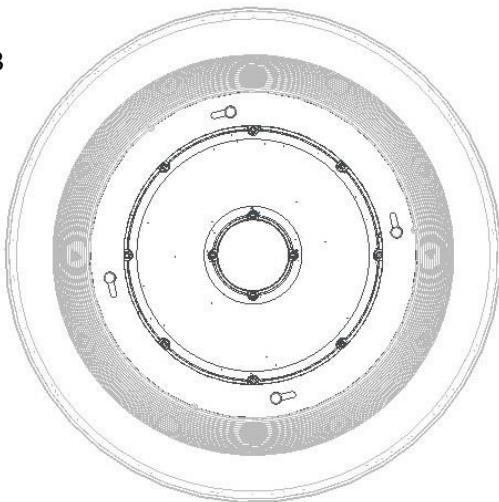
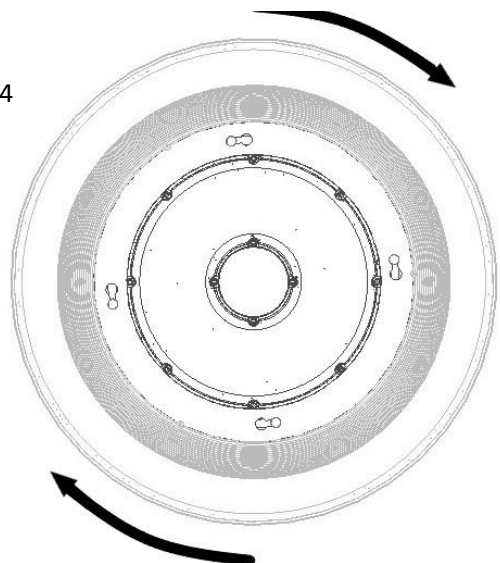


FIG.4



ILP – Industrial Lighting Products, LLC

519 Codisco Way, Sanford, FL 32771

Phone: (407) 478 3759 Fax: (407) 478 3760

www.ilp-inc.com

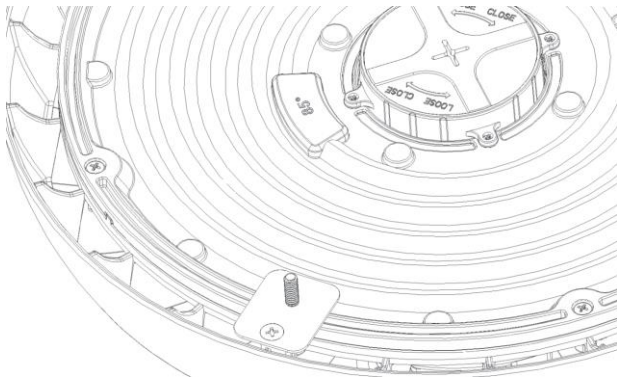


FIG.5

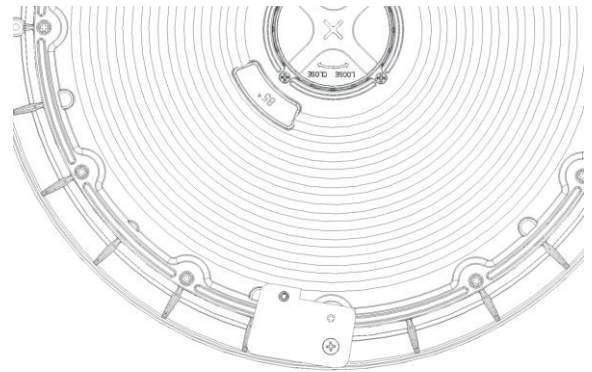


FIG.6

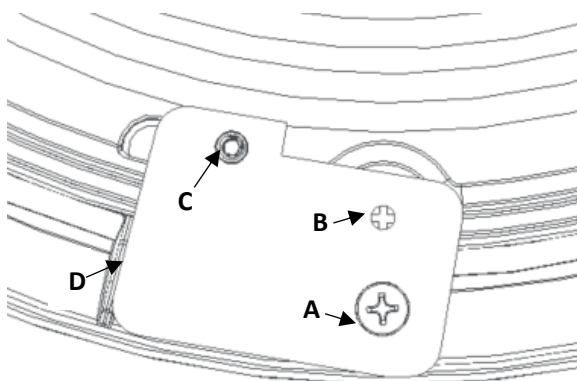


FIG.7



FIG.8

After installation, please

- Ensure the reflector/diffuser is firmly secure to the RB4 fixture.

To complete installation, turn power On, check for proper operation of luminaire.

ILP – Industrial Lighting Products, LLC

519 Codisco Way, Sanford, FL 32771
Phone: (407) 478 3759 Fax: (407) 478 3760
www.ilp-inc.com