



RB4 HANGER BRACKET KIT INSTALLATION INSTRUCTIONS

MODELS:

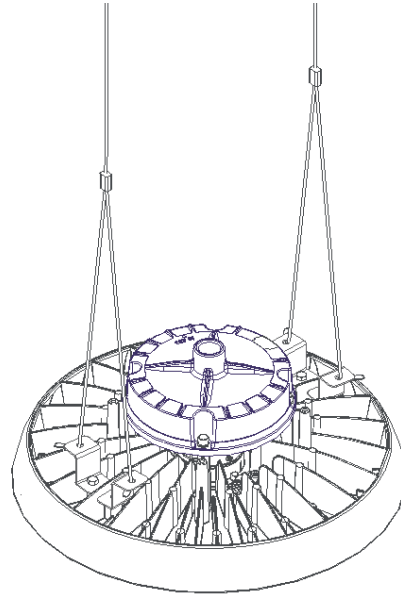
RB4-14L-U-CCTS

RB4-21L-U-CCTS

RB4-28L-U-CCTS

RB4-34L-U-CCTS

RB4-14L/21L/28L-CCTS



1. Introduction

- Tools Needed:
Drill with Philips Head Bit or Philips Head Screwdriver

Warning:

To avoid the risk of fire, explosion, or electric shock, this product shall be installed, inspected, and maintained by a qualified electrician, in accordance with all applicable electrical codes.

Warning:

To avoid electric shock:

- Allow product to cool before servicing.
- Be certain electrical power is OFF before and during installation or maintenance.
- Luminaire must be connected to a wiring system with equipment-grounding conductor.

ILP, LLC

519 Codisco Way, Sanford, FL 32771
Phone: (407) 478 3759 Fax: (407) 478 3760
www.ilp-inc.com

2. Installation

FIG.1

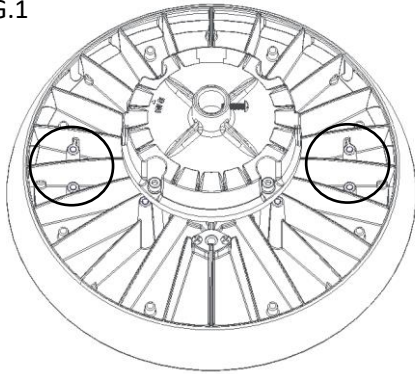
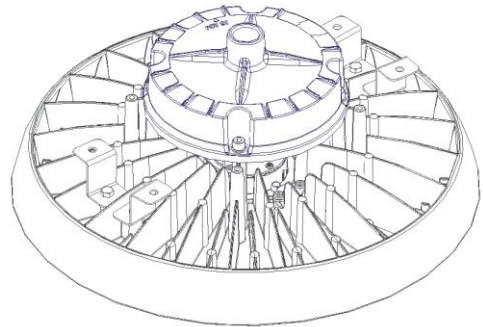


FIG.2



Step 1

Locate the (4) mounting holes on the face of the RB4. (FIG.1)

Step 2

Attach the (4) brackets onto the existing mounting holes with the provided hardware. Ensure that the brackets are facing the correct way.(FIG.2)

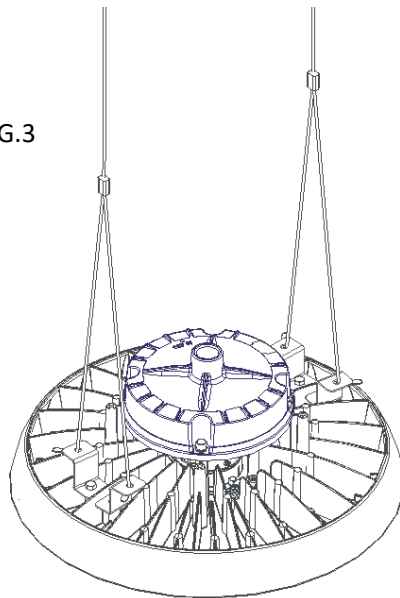
Step 3

Slide up and rotate the cable tab. Insert the cable end and tab into the bracket hole. Adjust tab to sit flat against bracket and pull cable slack to set. Repeat step for each cable end. (FIG.3)

Step 4

Attach the cable ends to the desired mounting location and ensure product is secured.

FIG.3



To complete installation, turn power On, check for proper operation of luminaire.

ILP, LLC

519 Codisco Way, Sanford, FL 32771
Phone: (407) 478 3759 Fax: (407) 478 3760
www.ilp-inc.com