



RB4 SURFACE MOUNT BRACKET

INSTALLATION INSTRUCTIONS

MODELS:

RB4-14L-U- CCTS

RB4-21L-U- CCTS

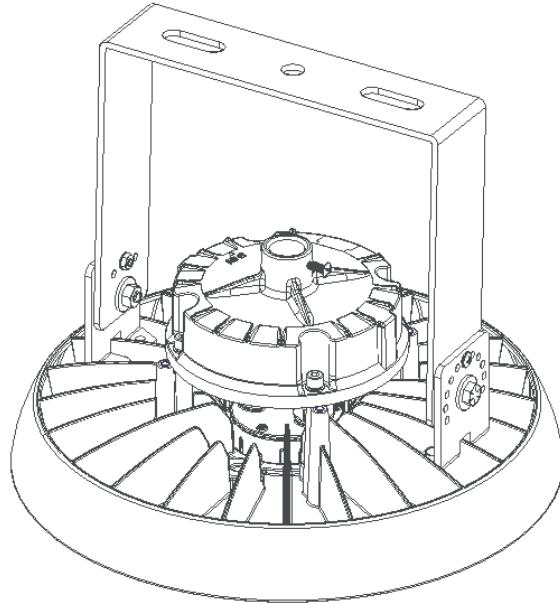
RB4-28L-U- CCTS

RB4-34L-U-CCTS

RB4-14L/21L/28L-CCTS

1. Introduction

- Tools Needed:
 - Drill
 - 5/16" bit or wrench
 - 7mm bit or wrench
 - 5/8" socket or wrench
 - 5/16" and 5/32" Allen wrench



Warning:

To avoid the risk of fire, explosion, or electric shock, this product shall be installed, inspected, and maintained by a qualified electrician, in accordance with all applicable electrical codes.

Warning:

To avoid electric shock:

- Allow product to cool before servicing.
- Be certain electrical power is OFF before and during installation or maintenance.
- Luminaire must be connected to a wiring system with equipment-grounding conductor.

ILP, LLC

519 Codisco Way, Sanford, FL 32771
Phone: (407) 478 3759 Fax: (407) 478 3760
www.ilp-inc.com

1. Installation

FIG.1

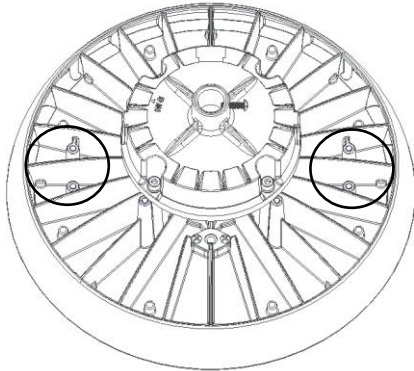
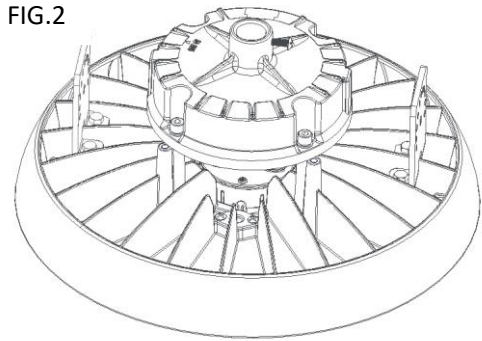


FIG.2



Step 1

Locate the (4) existing mounting studs on the RB4 Housing. (FIG.1)

Step 2

Place the bottom brackets onto the existing mounting studs and secure with the supplied M5 assembled hex head screws. (FIG.2)

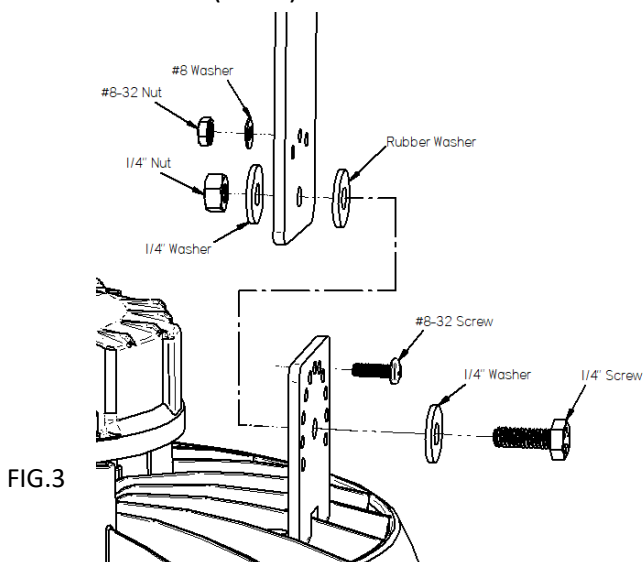
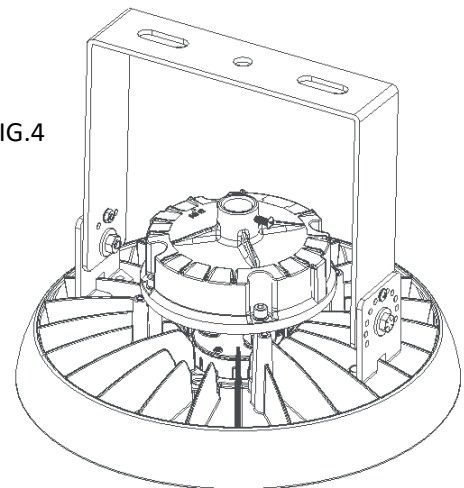


FIG.4



Step 3

Locate the top bracket in-between the bottom brackets and assemble with the provided hardware as shown in FIG.3.

Step 4

If needed adjust the angle of the Surface Mount Bracket by loosening the 1/4" screw and removing the #8-32 screw. Rotate to the desired angle and replace the #8-32 screw and fully tighten the 1/4" screw.

Step 5

Attach the top bracket to the ceiling or wall and make all appropriate electrical connections.

To complete installation, turn power On, check for proper operation of luminaire.

ILP, LLC

519 Codisco Way, Sanford, FL 32771
Phone: (407) 478 3759 Fax: (407) 478 3760
www.ilp-inc.com