



SS LED SELECT SLIM STRIP

INSTALLATION INSTRUCTIONS

⚠ CAUTION

PLEASE READ INSTRUCTIONS BEFORE COMMENCING INSTALLATION AND RETAIN FOR FUTURE REFERENCE.
Electrical products can cause death or injury, or damage to property. If any doubt about the installation or use of this product, consult a competent electrician.

⚠ WARNING

- To reduce the risk of death, personal injury or property damage from fire, electric shock, falling parts, cuts/abrasions, and other hazards read all warnings and instructions included with and on the fixture box and all fixture labels.
- Before installing, servicing, or performing routine maintenance upon this equipment, follow these general precautions.
- Commercial installation, service and maintenance of luminaires should be performed by a qualified licensed electrician.
- To prevent wiring damage or abrasion, do not expose wiring to edges of sheet metal or other sharp objects.
- Do not make or alter any open holes in an enclosure of wiring or electrical components during kit installation.

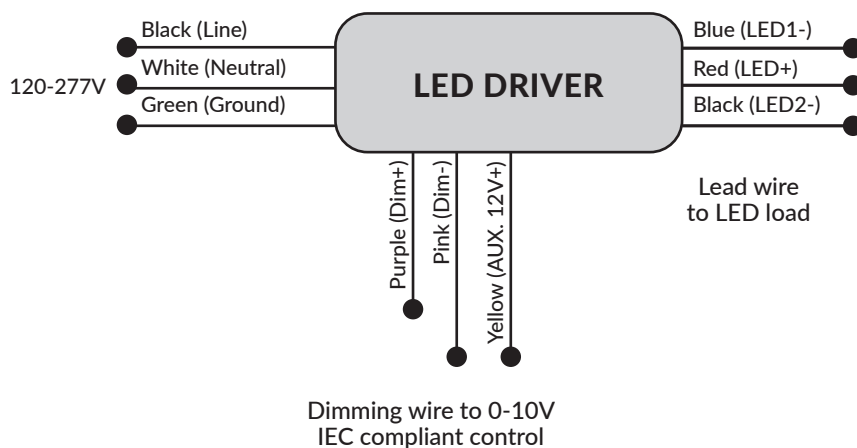
⚠ WARNING

- Turn off electrical power at fuse or circuit breaker box before wiring fixture to the power supply.
- Turn off the power when you perform any maintenance.
- Verify that supply voltage is correct by comparing it with the luminaire label information.
- All wiring connections should be capped with UL approved wire connectors.

⚠ CAUTION

- Avoid direct eye exposure to the light source while it is on.
 - Account for small parts and destroy packing material, as these may be hazardous to children.
 - Risk of burn. Disconnect power and allow fixture to cool before changing bulb or handing fixture.
- NOTICE: Green ground screw provided in proper location. Do not relocate.
NOTICE: Minimum 90° supply conductors.
NOTICE: Specifications and dimensions subject to change without notice.
NOTICE: Suitable for Dry or Damp location.

General Wiring Diagram:





SS LED SELECT SLIM STRIP

INSTALLATION INSTRUCTIONS

Installation Instruction

TURN OFF POWER FROM MAIN CIRCUIT BREAKER

Chain Suspended Mounting - SS

1. Squeeze the sides of the fixture body to remove the light engine. The pre-installed safety cables will allow the light engine to hang freely (Figure 1).
2. Attach the V-hook to the fixture and connect the chains to the V-hooks to hang the fixture. Fix the Flexible Metallic Conduit to any of the knockout holes at back of the fixture (Figure 2). Make appropriate electrical connections by referring to the General Wiring Diagram.
3. Reattach the light engine to fixture, ensuring it is securely in place and that all wires are neatly tucked inside the fixture. This completes the installation process (Figure 3).

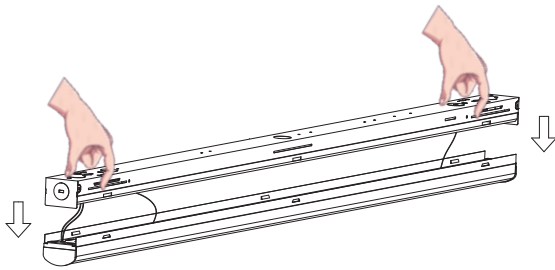


Figure 1

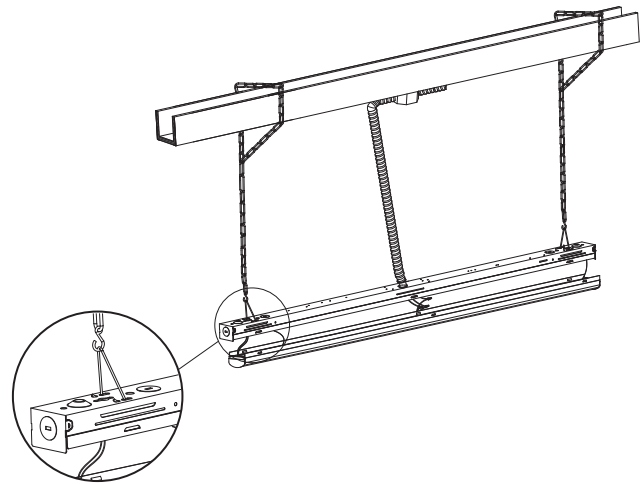


Figure 2

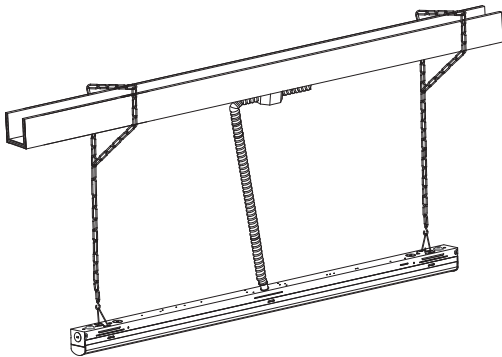


Figure 3



SS LED SELECT SLIM STRIP

INSTALLATION INSTRUCTIONS

Installation Instruction

Surface Mounting - SS

1. Attach the Outlet Box Cover to the back of the fixture using screws (Figure 1).
2. Squeeze the sides of the fixture body to remove the light engine to get the mounting bracket. Secure the mounting bracket to the ceiling using the provided expansion anchor and screws (Figure 2).
3. Make appropriate electrical connections by referring to the General Wiring Diagram through the junction box (Figure 3).
4. Reattach the fixture to the mounting bracket, ensuring it is securely in place and that all wires are neatly tucked inside. The installation is completed (Figure 4).

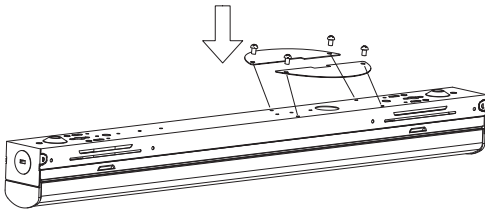


Figure 1

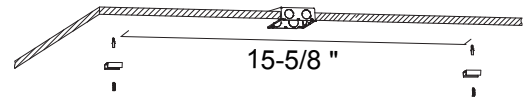


Figure 2

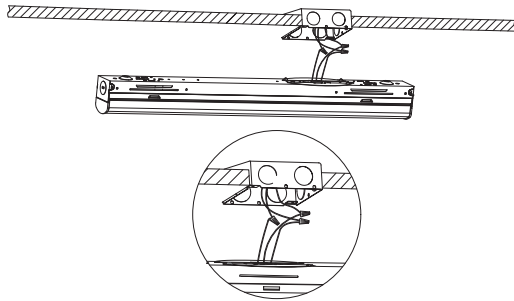


Figure 3

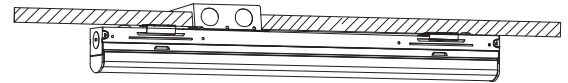


Figure 4



SS LED SELECT SLIM STRIP

INSTALLATION INSTRUCTIONS

Installation Instruction

45° Wall Mounting - SS

1. Squeeze the sides of the fixture body to remove the light engine (Figure 1).
2. Position the fixture to the desired mounting location on the wall, mark the designated mounting points circled in blue (Figure 2). Use appropriate fasteners (by others) to secure the provided Wall Mount Brackets (Part#: +SS G3 WM45) to mounting points on the wall (Figure 3).
3. Use the provided Screws and Lock Washer (Part#: SCREW W/ILW) to lock the fixture the Wall Mount brackets (Part#: +SS G3 WM45) (Figure 4).
4. Make appropriate electrical connections by referring to the General Wiring Diagram in the driver compartment or through the junction box.
5. Reattach the light engine to the fixture, ensuring it is securely in place and that all wires are neatly tucked inside (Figure 5).

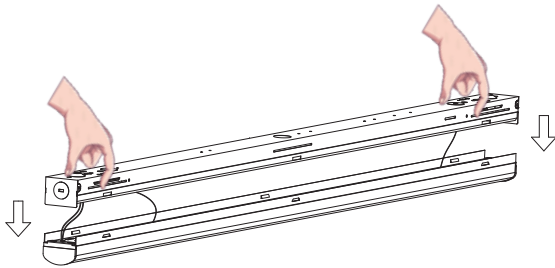


Figure 1

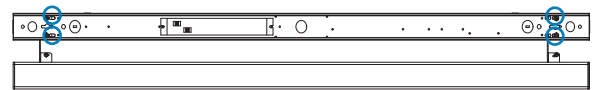


Figure 2



Figure 3

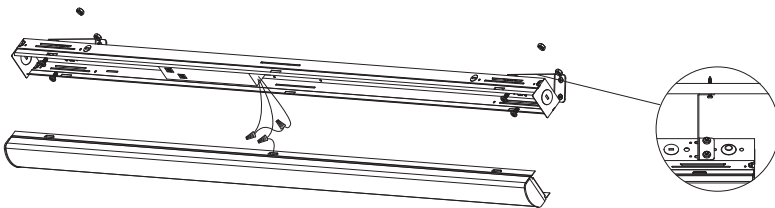


Figure 4

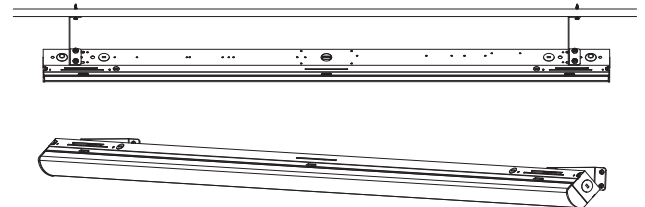


Figure 5



SS LED SELECT SLIM STRIP

INSTALLATION INSTRUCTIONS

Installation Instruction

Row Mounting - SS

1. Punch out the hole at the end of the strip for row mounting (Figure 1). Squeeze the sides of the fixture body to remove the light engine (Figure 2).
2. Connect the wires of adjacent fixtures: Neutral to Neutral (White), Line to Line (Black), Ground to Ground (Green), Dim+ to Dim+ (Purple), Dim- to Dim- (Pink) (Figure 3).
3. Reattach the light engine to the fixture, ensuring it is securely in place and that all wires are neatly tucked inside (Figure 4).
4. Attach the connection bracket (not included) between two fixtures and secure the bracket to the fixtures using screws (Figure 5, 6).

Note: Allows for connecting up to 40 linear feet per electrical power entry (using 18 AWG wire).



Figure 1

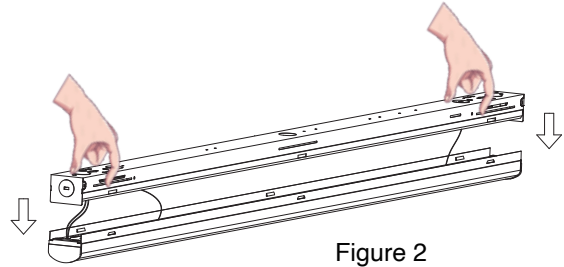


Figure 2

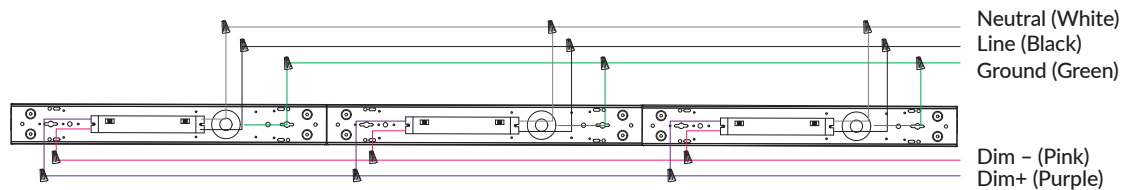


Figure 3

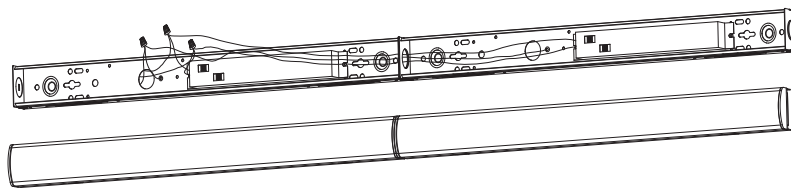


Figure 4

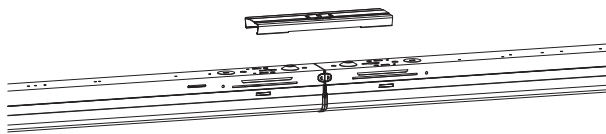


Figure 5

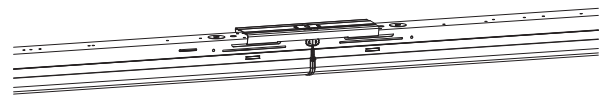


Figure 6



SS LED SELECT SLIM STRIP

INSTALLATION INSTRUCTIONS

Field-Adjustable CCT & Wattage

The end user may adjust the color temperature and lumen output (if lumen selectable option is ordered) respectively by the two DIP switches . Each DIP switch is accommodated with 3 options, corresponding to 3 color temperatures and 3 wattage respectively, which can perform the desired color temperature and lumen output combination.

Factory Settings: 4000K; Max. power

Remove the LED engine and access to the DIP switches on the driver.

Select a wattage and color temperature by sliding switch left or right respectively to the desired value.

LED Systems Information

Part No.	Input Wattage	Working Current	Voltage	PF	Dimming
SS2-2L/3L/4L-U-CCTS-FRL	15W/20W/25W	0.05~0.21	120-277V, 50/60Hz	>0.9	0-10V
SS2-2L-U-35-FRL	15W	0.05~0.13			
SS2-2L-U-40-FRL	15W	0.05~0.13			
SS2-2L-U-50-FRL	15W	0.05~0.13			
SS2-3L-U-35-FRL	20W	0.07~0.17			
SS2-3L-U-40-FRL	20W	0.07~0.17			
SS2-3L-U-50-FRL	25W	0.07~0.17			
SS2-4L-U-35-FRL	25W	0.09~0.21			
SS2-4L-U-40-FRL	25W	0.09~0.21			
SS2-4L-U-50-FRL	30W	0.09~0.21			