



LED UNIFY SURFACE MOUNT CYLINDER

INSTALLATION INSTRUCTIONS

⚠ CAUTION

PLEASE READ INSTRUCTIONS BEFORE STARTING INSTALLATION AND RETAIN FOR FUTURE REFERENCE.
Electrical products can cause death or injury, or damage to property. If any doubt about the installation or use of this product, consult a competent electrician.

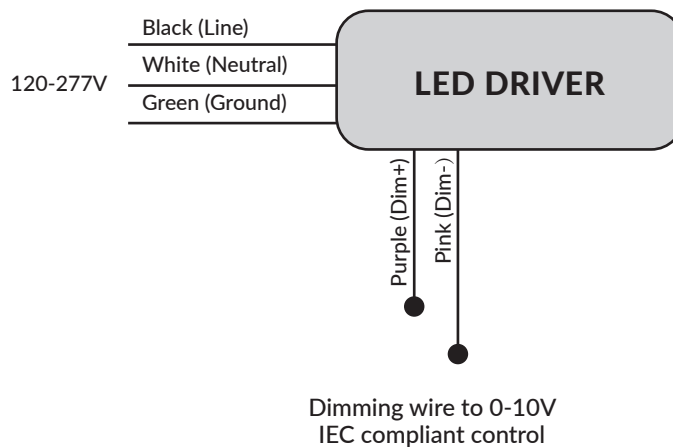
⚠ WARNING

- This fixture must be wired in accordance with the national electrical code and applicable local codes and ordinances.
- Proper grounding is required to ensure personal safety. Carefully observe the grounding procedure under installation section.
- Make sure mounting parts and wires are complete and intact during installation.
- Do not expose any wires to edge of sheet metal and/or other sharp objects that may cause damage or abrasion.
- All work should be performed by a qualified licensed electrician.
- Do not make or alter any open holes in the fixture, enclosure of wiring or its components during installation.

⚠ WARNING

- **Risk of fire or electric shock** - Disconnect power at fuse or circuit breaker before installing or servicing. Ensure power is off before starting installation or attempting any maintenance.
- **Risk of personal injury** - Fixture may become damaged and/or unstable if not installed properly. Tighten all fixture components to their recommended torque value: 2.0 Nm.
- Suitable for WET locations.
- The electrical rating of these product is 120-277VAC. The input voltage should match after connecting the power line. Please make sure the wiring section is insulated.

General Wiring Diagram:





LED UNIFY SURFACE MOUNT CYLINDER

INSTALLATION INSTRUCTIONS

Installation Steps

- Detach the ceiling mounting plate from the fixture mounting canopy. Unscrew the fixture plate from the center nipple. Unscrew the knockout cover to access settings if desired. (Figure 1)
- Select desired settings (CCT and power). (Figure 2)
- Screw back knock out cover, screw back and secure the fixture mounting canopy to the fixture on the center nipple. (Figure 3)
- Attached the ceiling mounting plate to the ceiling J-box (not provided) with provided screws. (Figure 4)
- Attached safety rope to the ceiling mounting plate. Make appropriate electrical connections according to the wiring diagram. (Figure 5)

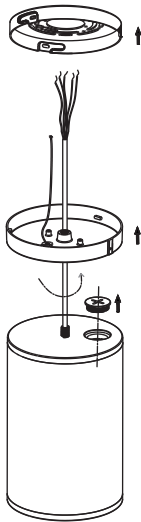
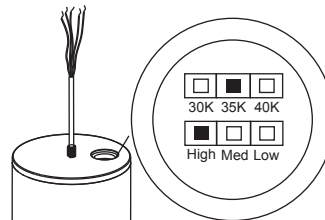


Figure 1



	High	Med	Low
3 inch	10W	8W	6W
4 inch	20W	16W	12W
6 inch	30W	24W	18W

Factory Default Setting:

- Power: 3" - High (10W) / 4" - High (20W) / 6" - High (35W)
- CCT: 3500K

Figure 2

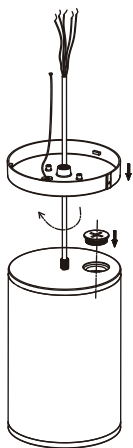


Figure 3

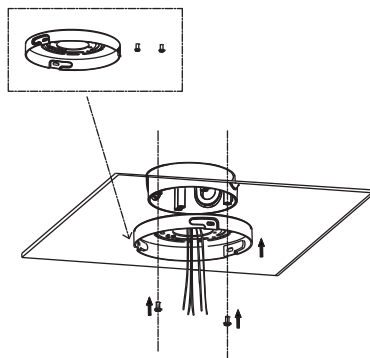


Figure 4

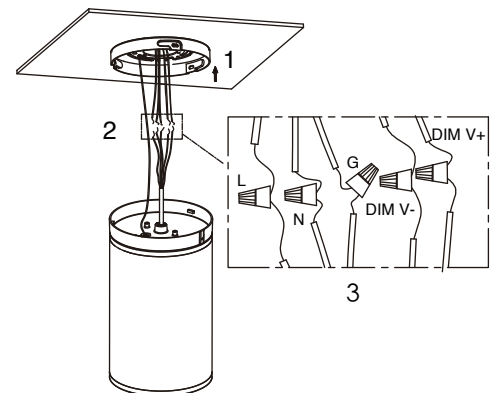


Figure 5



LED UNIFY SURFACE MOUNT CYLINDER

INSTALLATION INSTRUCTIONS

Installation Steps

- Tuck all wires inside ceiling Jbox. Align the notches on the fixture mounting canopy and “L” shape slots on the ceiling mounting plate, insert and rotate clockwise to attach the fixture to the ceiling. (Figure 6)
- Tighten the securing screw to finalize the installation. (Figure 7)

IMPORTANT: To weather-proof your outdoor installation, use silicone sealant to seal all holes in the fixture housing (mounting, conduit, plugs, photocontrols, etc.) and all edges between the fixture housing and the mounting surface.

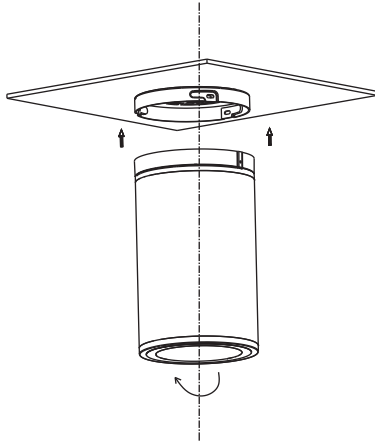


Figure 6

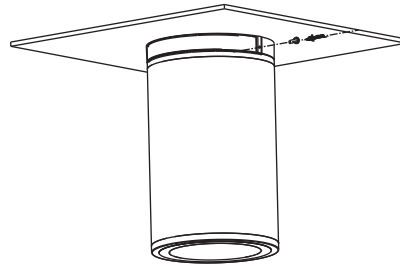


Figure 7