



LED UNIFY WALL MOUNT CYLINDER

INSTALLATION INSTRUCTIONS

⚠ CAUTION

PLEASE READ INSTRUCTIONS BEFORE STARTING INSTALLATION AND RETAIN FOR FUTURE REFERENCE.
Electrical products can cause death or injury, or damage to property. If any doubt about the installation or use of this product, consult a competent electrician.

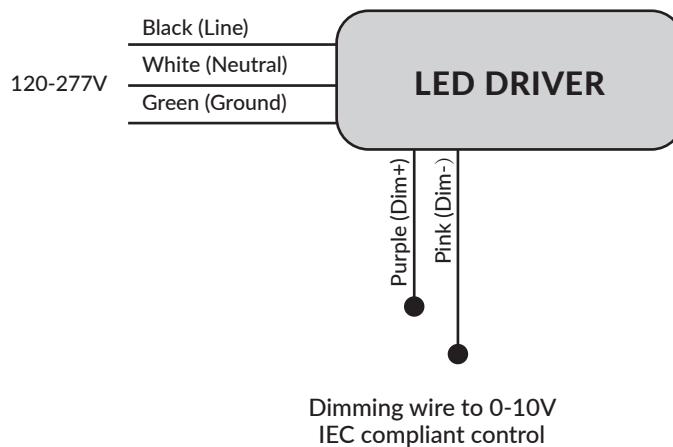
⚠ WARNING

- This fixture must be wired in accordance with the national electrical code and applicable local codes and ordinances.
- Proper grounding is required to ensure personal safety. Carefully observe the grounding procedure under installation section.
- Make sure mounting parts and wires are complete and intact during installation.
- Do not expose any wires to edge of sheet metal and/or other sharp objects that may cause damage or abrasion.
- All work should be performed by a qualified licensed electrician.
- Do not make or alter any open holes in the fixture, enclosure of wiring or its components during installation.

⚠ WARNING

- **Risk of fire or electric shock** - Disconnect power at fuse or circuit breaker before installing or servicing. Ensure power is off before starting installation or attempting any maintenance.
- **Risk of personal injury** - Fixture may become damaged and/or unstable if not installed properly. Tighten all fixture components to their recommended torque value: 2.0 Nm.
- Suitable for WET locations.
- The electrical rating of these product is 120-277VAC. The input voltage should match after connecting the power line. Please make sure the wiring section is insulated.

General Wiring Diagram:





LED UNIFY WALL MOUNT CYLINDER

INSTALLATION INSTRUCTIONS

Installation Steps

- Fix the mounting plate on the Wall. Flat side should be toward the wall, both hooks should be facing up. (Figure 1)
- Remove the four screw and open the back cover to select desired settings. See setting guidance on next page. (Figure 2)
- Identify arrow and notch on the cover for upward direction of the luminaire. Attach back the cover and tighten the screws. (Figure 3)
- Hang the fixture on the lower hook of mounting plate in the correct upward direction. (Figure 4)
- Make appropriate electrical connections according to the wiring diagram. (Figure 5)
- Move up and hang the fixture in its final position on the mounting plate, tuck all wires inside.. Attach and secure it to the mounting plate by tightening the lower screw. (Figure 6)

IMPORTANT: To weather-proof your outdoor installation, use silicone sealant to seal all holes in the fixture housing (mounting, conduit, plugs, photocontrols, etc.) and all edges between the fixture housing and the mounting surface.

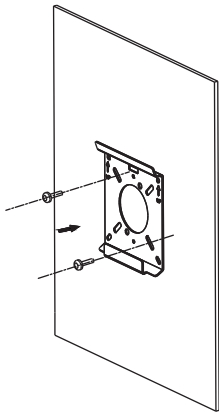


Figure 1

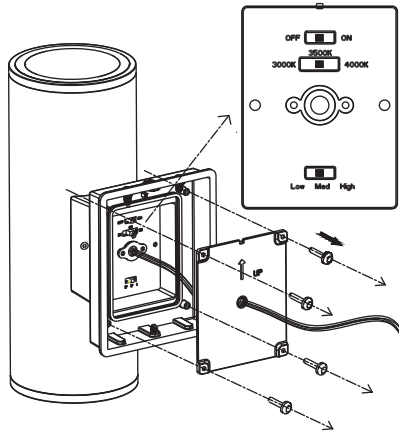


Figure 2

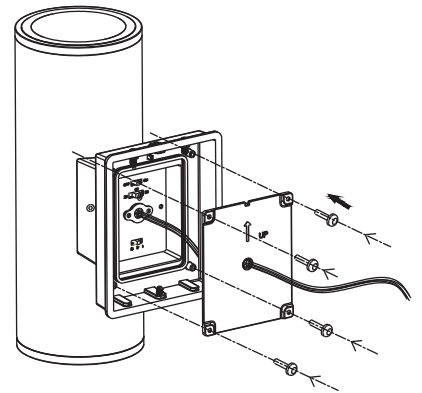


Figure 3

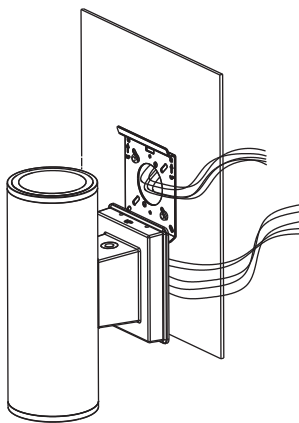


Figure 4

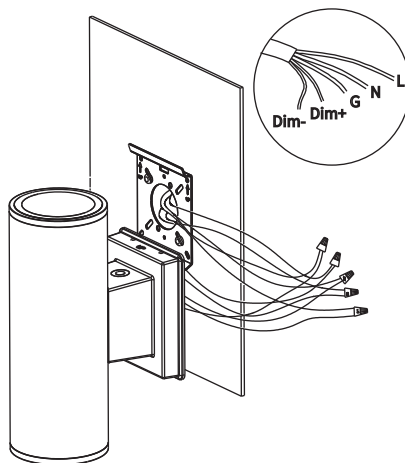


Figure 5

Black	○	Line
White	○	Neutral
Green	○	Ground
Purple	○	Dim+
Pink	○	Dim-

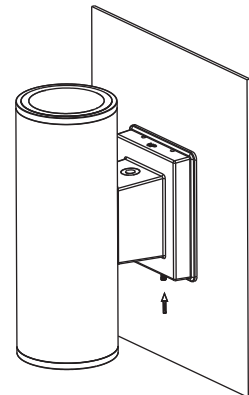


Figure 6



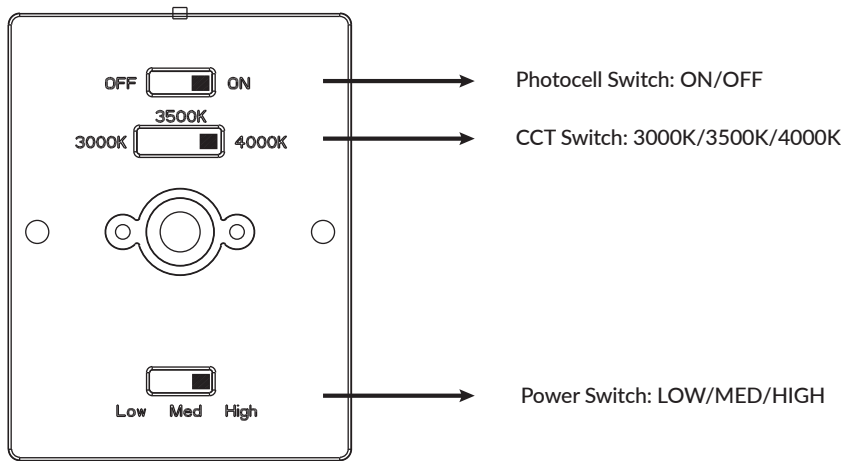
LED UNIFY WALL MOUNT CYLINDER

INSTALLATION INSTRUCTIONS

Setting Guidance

Factory Default Settings:

- Power: 3" - High (10W) / 4" - High (20W) / 6" - High (35W)
- CCT: 4000K
- Photocell: ON



	Low	Med	High
3 inch	6W	8W	10W
4 inch	12W	16W	20W
6 inch	22W	29W	35W