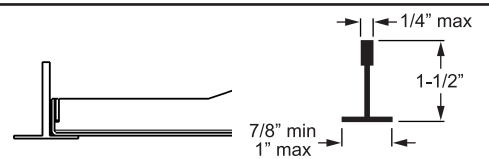


**Warning:**

- Caution - Risk of Shock. This product must be installed in accordance with the applicable installation code by a person familiar with the construction and operation of the product and the hazards involved.
- Make sure all electrical power is turned off while installing the fixture.
- This luminaire must be adequately grounded for protection against shock hazards and to assure proper operation.
- Disconnect power before servicing.
- Always use correct lamp type and wattages.
- LEDs are ESD (Electro Static Discharge) sensitive devices that can be easily damaged if the proper ESD mitigating steps are not taken.
- LEDs are very sensitive to mechanical damage. Caution must be taken to avoid damage to the LEDs.
- ESD or mechanical damage voids all warranties.

**NEMA "G" (Grid) fixture**

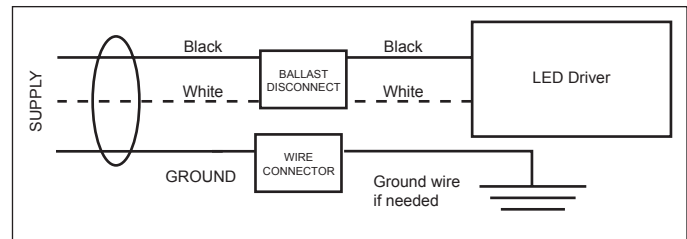
The VOL LED troffer fixture is designed to fit securely into a standard NEMA Type "G", 1" nominal T-bar system. Consult the factory for use with other grid systems.



- STEP 1:** Follow the steps below to install the fixture(s) into a NEMA Type "G" ceiling system:
- Raise the fixture through the ceiling opening and rest the fixture in the grid system.
  - Center the fixture within the opening.
  - (Optional or as required by local building code) Use safety cables (not included) and earthquake clips to secure the fixture to the ceiling structure for added stability. See Page 2 for details.
  - Refer to local codes for other installation requirements.

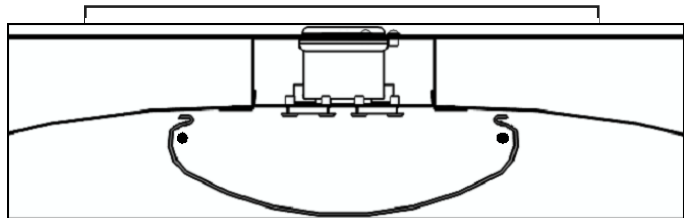
- STEP 2:** Once the fixture is installed into the ceiling system, follow the steps below to complete necessary electrical connections:
- Remove access plate on the back of the fixture.
  - Remove ballast supply wires from access plate.
  - Make wire connections in accordance with local codes. A ground wire or screw location is provided depending on the fixture model.
  - Re-install access plate.

- STEP 3:** Attach power supply and ground wires using UL listed wire connectors.



Please consult factory for other driver configurations or emergency driver wiring diagrams.

- STEP 4:** Ensure that the lens is fully and securely mounted onto the attachment tabs so that it cannot come loose unless force is applied.



---

## Earthquake clips and safety cable installation instructions:

Figure 1

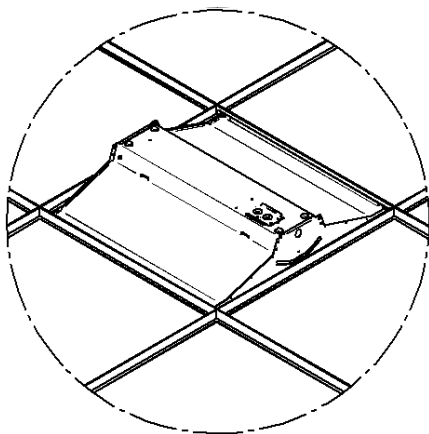


Figure 2

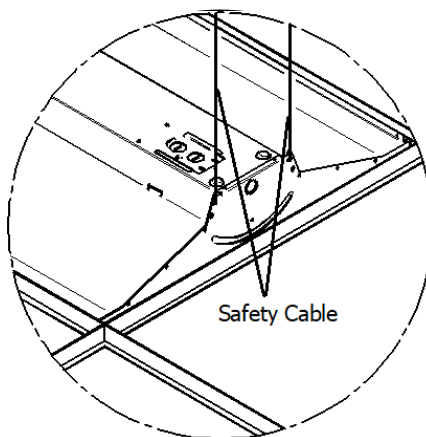
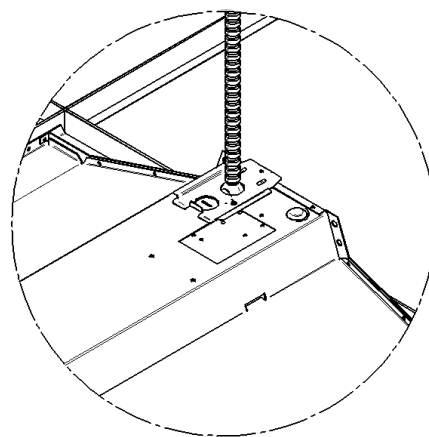


Figure 3



### Installation Steps:

Figure 1: Lay fixture into T-grid grid.

Figure 2: Use a hanger wire to tie off appropriately in accordance with local building codes(hanger wires supplied by others).

Figure 3: Ensure that the wiring of the last fixture in the row is properly terminated. Then make all electrical connections to the fixture. Attach the wiring access cover plate.